

公司总部及各办事处联系方式



股票代码 Stock Code 300607

中国华南制造基地

South China Manufacture Basis

广东拓斯达科技股份有限公司

GUANGDONG TOPSTAR TECHNOLOGY CO.,LTD

地址: 广东省东莞市大岭山镇大塘朗创新路2号

ADD: No.2 Chuangxin Road, Datanglang, Dalingshan Town, Dongguan City, Guangdong Province.

电话: 0769-8305 0999

TEL: 0769-8305 0999

传真: 0769-8584 5562

FAX: 0769-8584 5562

邮箱: marketing@topstarltd.com

E-mail:marketing@topstarltd.com

江苏拓斯达机器人有限公司

Jiangsu Topstar Robot Co.,Ltd

地址: 江苏省苏州市吴中经济开发区

ADD: 3rd Floor, Building 1, No. 818, Wusong Road, Guoxiang Street, Wuzhong Economic Development Zone, Suzhou City, Jiangsu Province, China

郭巷街道吴淞路818号1幢3楼

TEL: 0512-8686 4305

电话: 0512-8686 4305

MOB: 139 1543 5939

手机: 139 1543 5939

昆山拓斯达机器人科技有限公司

Kunshan Topstar Robot Technology Co.,Ltd

地址: 江苏省昆山市新南路888号联邦国际商务花园18栋

ADD: Building 18, Federal International Business Garden, No. 888 Xinnan Road, Kunshan City, Jiangsu Province, China

电话: 0512-3688 1796

TEL: 0512-3688 1796

手机: 185 0156 0757

MOB: 185 0156 0757

宁波拓晨机器人科技有限公司

Ningbo Topstar Robot Technology Co.,Ltd

地址: 浙江省余姚市风山街道舜汇东路93弄

ADD: Lane 93, Shunhui East Road, Fengshan Street, Yuyao City, Zhejiang Province

电话: 0574-8610 5571

TEL: 0574-8610 5571

传真: 0574-8610 5571

FAX: 0574-8610 5571

手机: 137 7723 2779

MOB: 137 7723 2779

华中服务办事处

华北服务办事处

越南服务办事处

地址: 重庆市渝北区融创中央广场

地址: 天津市西青区精武镇才智道

地址: 北江市黎利坊雄王路3号TUTACENTER

5栋1105室

12号德维洛浦产业园C座4-2-3

一楼

手机: 185 0156 0791

手机: 139 2957 0939

手机: 186 0209 6307 / 0084-346 860 156

Central China Service Offices,China

North China Service Offices,China

Vietnam Service Office

ADD: Room 1105, Building 5, Rongchuang

ADD: 4-2-3, Block C, Deweiluopu Industrial

Address: 1st Floor, TUTACENTER, No.3, Xiongwang Road,

Central Plaza, Yubei District, Chongqing

Park, No.12 Caizhi Road, Jingwu Town,

Lilifang, Bac Giang

MOB: 185 0156 0791

MOB: 139 2957 0939

MOB: 186 0209 6307 / 0084-346 860 156

有关产品性质和适用范围的说明并不保证产品属性, 仅作可供了解的信息。我们的供货范围及提供的服务完全以合同条款为准绳。技术数据和插图仅作为供货参考。保留更改权利。

Feature and scope of the product does not guarantee the product attributes,only for reference.Our scope of delivery and services provided are based solely on the terms of delivery and services provided are based solely on the terms of the contract.Technical data and illustration are only for reference .We reserve the rights of changing.



全国统一客服热线
Domestic Service Hotline
400-096-8005
Http://www.topstarltd.com

TSDSC2022-A

让工业制造更美好
Making Industrial Manufacturing Better



让工业制造更美好
making industrial
manufacturing better

目录 CONTENTS

02/07 企业形象篇 Chapter of Corporate Identity

公司简介
Company profile
企业文化
Company Culture
发展历程
Development History

08/67 辅机产品篇 Auxiliary machinery products

除湿干燥机系统
Drying and Dehumidifying System
自动送料系统
Feeding and Conveying System
模温控制系统
Mold Temperature Control System
自动冷却系统
Cooling System
计量混合系统
Dosing&Mixing System
粉碎回收系统
Granulating&Recycling System

68/69 客户服务篇 Chapter of Service

售后服务
After-Sale Service

公司简介
COMPANY
PROFILE

广东拓斯达科技股份有限公司

广东拓斯达科技股份有限公司（简称：拓斯达，股票代码：300607）是首家登陆创业板的广东省机器人骨干企业。公司成立于2007年，总部位于广东省东莞市大岭山镇，注册资本4.26亿元。

拓斯达坚持“让工业制造更美好”的企业使命，通过以工业机器人、CNC、注塑机为核心的智能装备，以及控制、伺服、视觉三大核心技术，打造以核心技术驱动的智能硬件平台，为制造企业提供智能工厂整体解决方案。截至2021年6月，公司已在全国设有近50家办事处，触达客户超20万家，服务客户超15000家。

拓斯达是国家高新技术企业，建有广东省3C智能机器人与柔性制造企业重点实验室、广东省工业机器人与智能装备驱控一体化系统及应用技术工程技术研究中心、广东省企业技术中心、广东省博士工作站。公司2018年荣获“东莞市政府质量奖”，2019年纳税首次破亿，并荣获“2019年度东莞市效益贡献奖”，“2019年度东莞市规模效益成长性排名前20名工业企业”，2020年荣获“东莞市先进集体”等荣誉。

截至2021年6月，拓斯达拥有授权专利464项，其中发明专利26项；各类软件著作权69项。公司多项产品荣获广东名牌产品、广东高新技术产品，并通过欧洲CE认证。

Guangdong Topstar Technology Co., Ltd.

Guangdong Topstar Technology Co., Ltd. (abbr. Topstar, stock code: 300607) is the first GEM listed core robot enterprise in Guangdong Province. The company was founded in 2007 and is headquartered in Dalingshan Town, Dongguan City, Guangdong Province, with a registered capital of 426 million yuan.

Topstar adheres to the corporate mission of "making industrial manufacturing better" through intelligent equipment with industrial robots, CNC and injection molding machines as the core, as well as controllers, servo drives, and vision system as three core technologies create an intelligent hardware platform driven by core technologies, and provide manufacturing enterprises with turnkey solutions for smart factories. As of June 2021, the company has set up close to 50 offices across the country, reaching more than 200,000 customers and serving more than 15,000 customers.

Topstar is a national high-tech enterprise. It has established the Guangdong Key Laboratory of 3C Intelligent Robots and Flexible Manufacturing Enterprises, Guangdong Engineering Technology Research Center for Industrial Robots and Intelligent Equipment Driving and Control Integrated System and Application Technology, Guangdong Enterprise Technology Center, Doctoral Workstation of Guangdong Province. In 2018, Topstar won the "Dongguan Municipal Government Quality Award". In 2019, the tax payment exceeded 100 million for the first time, and awarded "2019 Dongguan City Benefit Contribution Award" and "2019 Dongguan City Scale Efficiency Growth Ranking Top 20 Industrial Enterprises". In 2020, Topstar won the "Dongguan Advanced Collective" and other honors.

As of June 2021, the company has 464 authorized patents, including 26 invention patents; 69 software copyrights. Many of the company's products have been awarded Guangdong Famous Brand Products, Guangdong High-tech Products, and have passed CE certificate.

服务客户

15000+

科研成果

500+

企业文化
ENTERPRISE
CULTURE

· 使命
让工业制造更美好
Make Industrial Manufacturing Better

MISSION

· 核心价值观
全心全意为客户服务
群体奋斗，群体成功
Wholeheartedly for Customer Service
Together We Strive, Together We Achieve

CORE VALUES

· 组织气质
开放协同，因我不同
Cooperate but respect personality

TEAM SPIRIT

· 愿景
助力100万制造企业实现智能制造
助力100万工程师服务于智能制造
To help millions of manufacturing enterprises to realize intelligent manufacture
To help millions of engineers serving the intelligent manufacture

VISION

· 定位
以核心技术驱动的智能硬件平台
Intelligent hardware platform driven by core technology

POSITIONING

发展历程
DEVELOPMENT HISTORY

2008

开拓市场 创新研发辅机

研发出新型节能三机一体机；
研发出直接冷却160度水温机，
降温速度更快。

Expanded the market and conducted innovative R&D on auxiliary equipment

Developed new type of energy-saving three-in-one equipment.
Developed 160 °C direct cooling water circulating temperature controller, increasing cooling efficiency.

2007

50万注册资金起步

拓斯达以50万元注册资金注册成立；
提出“打造一流品质”的企业和产品定位。

Company established with a registered capital of RMB 500,000.

Topstar was incorporated with a registered capital of RMB 500,000.
“Creating first-class quality” enterprise and product positioning proposed.

2010

开发机械手 布局全国市场

开发机械手产品，成为自动化系统输出全套产业链运营商；
设立无锡办事处，辐射华东，开启全国市场布局；
与清华大学合作，引入先进企业管理理念。

Developed manipulator products and expanded market across China

Developed manipulator products and become a comprehensive automation system industry chain operator.
Established Wuxi office to cover markets in East China and launched the national market layout.
Introduced advanced enterprise management concept in partnership with Tsinghua University.

2009

提高产品自产率 客户达1000家

成立拓斯达商学院；
市场成交客户量突破1000家；
成立钣金工厂，提高自产率，产能再次提升。

Increased independent production capacity; more than 1,000 customers

Established Topstar Business School.
Customer base exceeds 1,000 customers.
Established sheet metal factory, enhancing independent production capacity and rate.

2012

认证高新企业 布局全球市场

获得国家高新技术企业称号；
布局全球市场，产品销往东南亚、欧洲、南美洲等地；
与华南理工大学签署产学研合作协议。

Certified as a high-tech enterprise and established global market layout

Awarded the National High-tech Enterprise title.
Established global market layout with products sold in Southeast Asia, Europe, South America, and other regions.
Signed an industry-university-research cooperation agreement with South China University of Technology.

2011

注塑自动化全套解决方案运营商

自主研发的三轴、五轴伺服机械手上市，获得广泛好评；
确立整体注塑自动化解决方案的发展方向，提出主动服务理念；
成功举办“华南塑料工业高端论坛”。

Became injection molding automation total solution operator

Launched independently developed three-axis and five-axis servo manipulators in the market, which gained wide market recognition.
Established the development direction of the overall injection molding automation solution, and launched active service concept.
Successfully held South China Plastics Industry High-end Forum.

2014

挂牌新三板 响应“机器换人”政策

挂牌新三板，实现同步定增；
率先响应“机器换人”政策，提出一年回本的自动化理念；
华北、华中营销中心成立，全国新设20余办事处。

Listed in the new OTC market and took the lead in “machines replacing humans” policy

Listed on the new OTC market and realized concurrent directional add-issuance.
Took the lead in the “machines replacing humans” policy and proposed 1-year ROI on automation concept.
Established North China and Central China marketing centers and more than 20 new offices across China.

2013

引入战略投资 多领域拓展自动化应用场景

投资3亿扩产自动化制造基地，项目纳入东莞市重点建设项目；
组建自动化项目部，布局打磨、冲压、压铸等多领域自动化应用场景；
进行股份制改革，核心员工持股。

Introduced strategic investments and developed multi-field automation

Invested RMB 300 million to expand the automatic manufacturing base’s production capacity; the project was included in the key construction project of Dongguan City.
Established the Automation Project department, set up automation in grinding, stamping, die-casting, and other fields, conducted joint-stock system reform, and initiated share ownership by core employees.

2016

整合上下游资源 打造智能生态圈

自主研发六轴工业机器人本体上市；
提出打造软件研发、本体设计、集成方案、整厂自动化四位一体的智能制造生态圈理念；
整合上下游资源，与ABB签订战略合作协议，深入展开合作。

Integrated upstream and downstream resources and created intelligent ecosystem

Launched the independently developed six-axis industrial robots in the market.
Proposed the concept of creating a four-in-one intelligent manufacturing ecosystem of software R&D, robot design, integration solution, and whole-plant automation.
Integrated upstream and downstream resources and signed strategic cooperation agreement with ABB to carry out in-depth cooperation.

2015

掌握核心技术 研发工业机器人

掌握控制系统核心技术，布局工业机器人研发；
形成工业机器人、自动化解决方案、整厂水电气系统、配套设备等多领域智能制造体系。

Acquired expertise in core technologies and conducted R&D on industrial robots

Mastered the core technology of the control system and formulated R&D plan for industrial robots.
Established a multi-field intelligent manufacturing system including industrial robot, automation solution, whole plant water and electrical system, and ancillary equipment.

2018

新园区 新使命

发布企业全新使命、愿景、价值观，确定新组织气质；
迁入新园区，举办首届全球开放日；
优化产业布局，收购野田智能、筹建苏州生产研发基地、置地松山湖。

Relocated to the new park and released new company mission

Released the company’s new mission, vision, and values and defined the new organizational outlook.
Relocated to the new park and held the first Global Open Day session.
After optimizing the industrial layout, the company acquired Noda, prepared for the construction of Suzhou Production and R&D Base, and purchased land in Songshan Lake area.

2017

登陆创业板 实施员工持股计划

创业板上市，股票代码300607，实施员工持股计划惠及200余人；
打造以工业机器人为核心，软硬件结合的智能制造综合服务体系，通过四部两院组织架构输出智能制造整体解决方案；
导入SAP信息化管理及任职资格体系，提升管理团队效能。

Listed on GEM and expanded employee stock ownership

Listed on GEM with stock code 300607, and expanded stock ownership to more than 200 employees.
Built a comprehensive intelligent manufacturing service system integrating hardware and software with industrial robots at the core, and launched total intelligent manufacturing solutions by organizationally restructuring four departments and two academies.
Introduced SAP information management and qualification system to improve management and operational efficiency.

2020

新产品 新赛道

组建自有研发团队，开拓注塑机业务线，实现注塑业务整体解决方案全产品闭环；
开拓CNC数控机床业务线；
董事长吴丰礼参加习近平总书记主持召开的企业家座谈会；
服务客户数突破10000家。

Launched new products and started on a new track

Established independent R&D team, launched the injection molding machine business line and provided total solutions to injection molding businesses.
Exploit the CNC machine tool business line.
Chairman Wu Fengli attended the entrepreneurs’ symposium presided over by President Xi Jinping.
Customer base exceeds 10,000 customers.

2021

强战略 定核心

提出“以核心技术驱动的智能硬件平台”战略定位；
确立以工业机器人、注塑机、CNC数控机床为三大核心产品；
发行可转债募资6.7亿元用于建设智能制造整体解决方案研发及产业化项目；
拓斯达智能设备总部基地（大岭山连平）项目完成摘牌；
布局五轴高端数控机床赛道，控股埃弗米。

Strengthened strategies and initiated platform-oriented business

Launched “integration robot” on the automation equipment integrated service platform.
Established industrial robots, injection molding machines and CNC as the three core products.
Raised RMB 670 million by issuing convertible bonds to construct R&D facilities and to develop total intelligent manufacturing industrialization projects.
Completed and delisted Topstar intelligent equipment headquarter base project (Lianping, Dalingshan).
Layout the five-axis high-end CNC machine tool track, holding AFM company.

2019

拿结果 强组织 做价值

驼驮科技成立，布局产业互联网；
公开增发募集资金6.5亿元用于苏州生产基地建设；
拓星辰系列上市，拓星河1号进入Beta阶段。

Targeted improved results, strengthened the organization, and realized value generation

Established TUOTUO Technology to layout the industrial internet.
Raised RMB 650 million through public secondary offering.
Launched TXC series in the market and TXH No.1 entered the beta stage.



让工业制造更美好
making industrial
manufacturing better

辅机产品篇
AUXILIARY
MACHINERY
PRODUCTS

- A** 除湿干燥机系统
Drying and Dehumidifying System
- B** 自动送料系统
Feeding and Conveying System
- C** 模温控制系统
Mold Temperature Control System
- D** 自动冷却系统
Cooling System
- E** 计量混合系统
Dosing&Mixing System
- F** 粉碎回收系统
Granulating&Recycling System

普通型干燥机 Hopper Dryers

THD



● 特点 Features

- 原料接触面为全不锈钢设计，确保原料不被染。
- 精密压铸的铝质外壳，表面光滑，保温性能好。
- 隔尘静音风机可隔绝尘埃，确保原料不受污染。
- 桶体机座设计有视料窗，可直接观察内部工作情况。
- 上吹式干燥机发热管弯型设计，避免因原料落入管内而引起发热管损坏。
- 采用均匀分散热风之高性能热风扩散装置，保持塑料干燥温度均匀，增加干燥效率。
- 桶身与料斗采分离式设计，方便清料的。
- 具有超温超载等安全保护装置。
- 配备入料口盖，方便吸料机的安装。

- All material contact surfaces are made of stainless steel to avoid material contamination.
- Precise aluminum casting hopper barrel features smooth surface & good performance on temperature keeping.
- Sound-proof blower with anti-dust design eliminates dust for ensuring material free from contamination.
- Hopper barrel is fitted with see-through windows to observe inside material level.
- Hot air inlet elbow design can prevent dust piling up at the bottom of the heaters to avoid burning.
- To adopt hot air diffuser for acquiring an even hot air flow to improve drying efficiency.
- Hopper barrel separated from its base for easy cleaning.
- Safety device with overheat and overload protection.
- Equipped with the flap, convenient suction machine installation.

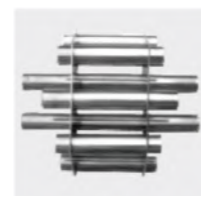
主要用于塑料颗粒的干燥。用高温热风处理各种潮湿的原料，使原料充分干燥，确保产品质量。装料容量从6~400公斤可供选择。可加装排风过滤(选配)，过滤粉尘气体避免空气污染，确保工作环境之整洁。加装热风回收(选配)，使热风形成半封闭循环回路，加速热风循环速度，能降低损耗，省电30%。

Hopper Dryers are mainly applied to plastic material drying. Hot air is used to dry all wet materials which gain an even hot air flow to improve drying efficiency for assuring quality of products. Hopper capacities rang from 6kgs ~400kgs can be offered for selection. Exhaust air filter (option) can filter the dust-contain air effectively from discharging to the surrounding area. Hot air recyclers (option) to make hot air form a semi-closed circulated loop to speed up hot air circulation for shorten heating time to achieve energy saving up to 30%.

● 选择加装配件 Options



磁力底座
Magnetic Seat



料斗磁石磁力架
Hopper Magnet



热风回收装置
Hot Air Recycler



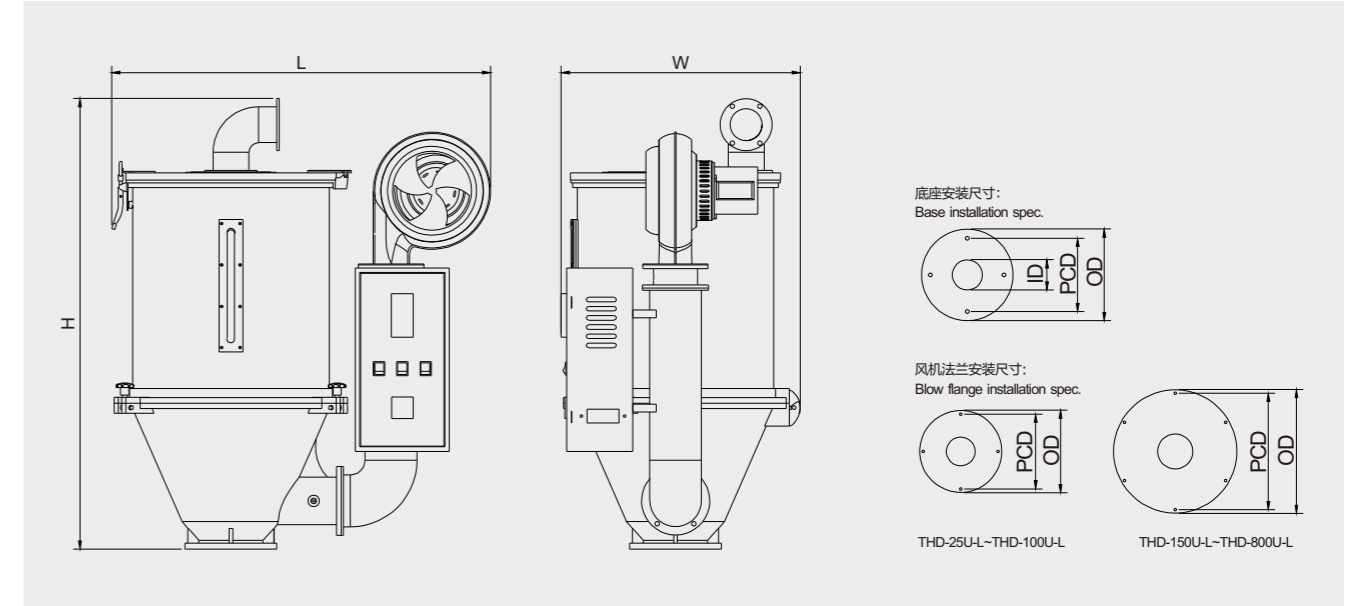
排风过滤器
Exhaust Air Filter



吸料盒
Material suction box



脚架
Floor Stand



● 规格表 Specification Sheet

产品型号Model	THD-6U-L	THD-12U-L	THD-25U-L	THD-50U-L	THD-75U-L	THD-100U-L	THD-150U-L	THD-200U-L	THD-300U-L	THD-400U-L	
	THD-6UT-L	THD-12UT-L	THD-25UT-L	THD-50UT-L	THD-75UT-L	THD-100UT-L	THD-150UT-L	THD-200UT-L	THD-300UT-L	THD-400UT-L	
料筒容量 Hopper Capacity	KG	6	12	25	50	75	100	150	200	300	400
风机功率 Blower Power	W	75	75	135	155	155	215	215	320	320	340
电热功率 Heater Power	KW	1.8	1.8	3.0	4.0	4.0	6.0	9.0	12.0	15.0	15.0
干燥温度 Drying Temp	℃	最高130℃									
出口口径 Outlet Size	inch	2.5	2.5	2.5	2.5	2.5	2.5	2.5	2.5	3.5	5
桶身直径 Hopper Body Dia	M	0.295	0.295	0.347	0.423	0.495	0.562	0.6	0.687	0.759	0.892
法兰ID直径 Flange ID Dia	M	0.042	0.042	0.0615	0.074	0.074	0.081	0.081	0.11	0.11	0.12
法兰PCD直径 Flange PCD Dia	M	根据实际开孔 Openings according to the actual									
法兰OD直径 Flange OD Dia	M	0.13	0.13	0.17	0.2	0.2	0.23	0.23	0.25	0.295	0.31
风机PCD直径 Blower PCD Dia	M	0.136	0.136	0.163			0.208	0.254			
风机OD直径 Blower OD Dia	M	0.148	0.148	0.18			0.22	0.27			
系统电源 Power Supply	V	380VAC 3P/PE 50Hz									
控制电源 Control Voltage	V	220VAC 1P/PE 50Hz									
总功率 Total Power	KW	2	2	3.5	4.5	4.5	6.4	9.4	12.5	15.5	15.5
电源线规格 Wires Specification	mm2	5×1.5		5×2.5	4×4+1×2.5		4×6+1×4			4×10+1×6	
电源线长度 Wires Length	M	5									
外形尺寸 Dimensions	L(m)	0.69	0.69	0.76	0.85	0.9	1.02	1.07	1.20	1.29	1.5
	W(m)	0.43	0.43	0.46	0.49	0.56	0.63	0.75	0.88	0.94	1.14
	H(m)	0.7	0.7	0.83	0.93	1.02	1.08	1.29	1.35	1.57	2.0
机器重量 Weight	KG	19	21	34	38	46	59	85	114	140	170
选配配件 Optional Accessories		1.磁力底座Magnetic Seat		2.磁力架Hopper Magnet		3.热风回收过滤器Hot Air Recycler		4.排风过滤器Exhaust Air Filter			
		5.L型脚架L Type Floor Stands		6.A型脚架A Type Floor Stands		7.吸料箱Material Suction Box					

产品编号如 "THD-12U-L" 表示不带定时器; "THD-12UT-L" 表示带定时器
注: 产品规格若有变更, 恕不另行通知。 We reserve right to change specifications without prior notice.

不锈钢干燥机 Stainless Hopper Dryers

THD



● 特点 Features

- 采用双层不锈钢材质制成, 保温效果极好, 节省能源。
- 配备入料口盖, 方便吸料机的安装。
- 采用“热风下吹式”和“空气旋风排气”原理, 保证干燥效果均匀统一。
- 可调式过热安全保护装置。
- 标准外接式绝缘主电源。
- 桶体机座设计有视料窗, 可直接观察内部工作情况。
- 具有超温过载等安全保护装置。
- 各机种配定时装置

- Double - layer stainless steel hopper dryer features with superior temperature keeping to improve energy saving greatly.
- The material inlet lid of hopper is equipped for easy installation of auto loader.
- Drying under the principle of hot air down-blowing and cyclone air exhausting result in consistent drying effects evenly.
- Adjustable overheat safety thermostat.
- Main power isolator externally installed as standard.
- Hopper barrel is fitted with see-through windows to observe inside material level.
- Safety device with overheat and overload protection.
- 24 hours auto start/stop timers as standard.

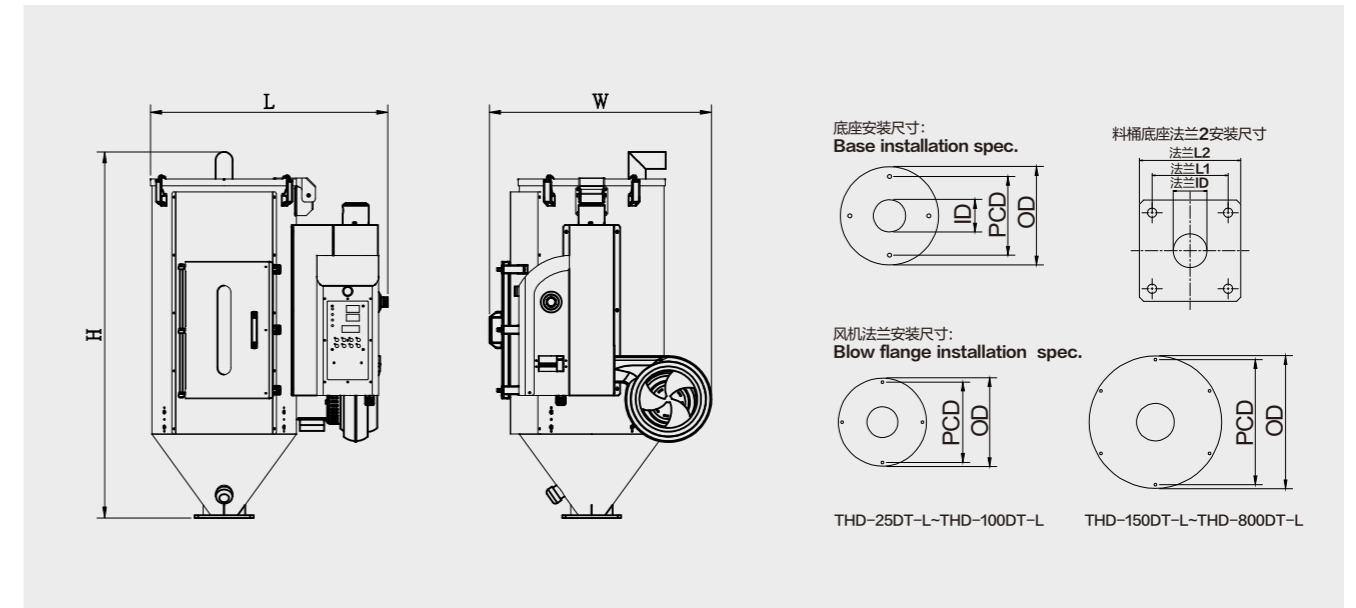
一体成型设计且桶身内外采特殊抛光处理。采用“热风下吹式”和“空气旋风排气”原理, 能保证干燥效果均匀统一。不锈钢材质, 确保原料不受污染, 特别适用于光学级产品。

Stainless and polished one-unit design ensures material free from contamination. It adapts "Hot Air Down-Blowing" and "Cyclonic Air Exhausting" principle to ensure uniform dry efficiency. All these models are particularly for optics.

不锈钢干燥机获得实用新型专利
Practical New Patent for Stainless Hopper Dryers
专利号/Patent No: ZL 201120302379.3

● 选择加装配件 Options

1	磁力底座	Magnetic Seats
2	料斗磁石磁力架	Hopper Magnet
3	热风回收过滤器	Hot Air Recyclers
4	排风过滤器	Exhaust Air Filters
5	吸料箱	Material suction boxes
6	脚架	Floor Stand



● 规格表 Specification Sheet

产品型号 Model	THD-6DT-L	THD-12DT-L	THD-25DT-L	THD-50DT-L	THD-75DT-L	THD-100DT-L	THD-150DT-L	THD-200DT-L	THD-300DT-L	THD-400DT-L	THD-600DT-L	THD-800DT-L	THD-1000DT-L	THD-1500DT-L	THD-2000DT-L	THD-2400DT-L		
料筒容量 Hopper Capacity	KG	6	12	25	50	75	100	150	200	300	400	600	800	1000	1500	2000	2400	
风机功率 Blower Power	W	75	75	135	155	210	215	320	320	340	340	1000	1500	1500	2200	2200	3700	
电热功率 Heater Power	KW	0.9	1.8	3.0	4.0	4.0	6.0	9.0	12.0	15.0	18.0	21.0	24.0	32.0	48.0	48.0	32.0	
干燥温度 Drying Temp	°C	150°C																
出口口径 Outlet Size	inch	1.5	1.5	1.5	2	2	2.5	2.5	2.5	3	3	4	4	5	5	5	6	
内桶直径 Inside Hopper	M	0.21	0.25	0.287	0.387	0.422	0.457	0.512	0.607	0.67	0.76	0.9	0.9	1	1.2	1.2	1.4	
外桶直径 Outside Hopper	M	0.253	0.293	0.33	0.43	0.465	0.5	0.595	0.69	0.754	0.844	0.985	0.944	1.05	1.25	1.25	1.5	
法兰ID直径 Flange ID Dia	M	0.04	0.04	0.05	0.05	0.065	0.065	0.065	0.0762	0.1	0.1	0.1	0.11	0.11	0.11	0.11	0.1	
法兰PCD直径 Flange PCD Dia	M	0.09	0.06	0.125×0.125	0.13×0.13	0.13×0.13	0.13×0.13	0.13×0.13	0.15×0.15	0.15×0.2	0.21×0.25	0.2	0.2	0.2	0.2	0.2	0.21×0.25	
法兰OD直径 Flange OD Dia	M	0.12	0.12	0.175×0.175	0.175×0.175	0.175×0.175	0.175×0.175	0.175×0.175	0.175×0.18	0.18×0.18	0.25×0.25	0.23	0.23	0.23	0.23	0.23	0.25×0.3	
风机PCD直径 Blower PCD Dia	M	0.07	0.136	0.163			0.208	0.254				0.27						
0.风机OD直径 Blower OD Dia	M	0.1	0.148	0.18			0.22	0.27				0.3						
系统电源 Power Supply	V	380VAC 3P/PE 50Hz																
控制电源 Control Voltage	V	220VAC 1P/PE 50Hz																
总功率 Total Power	KW	1	2.1	3.4	4.4	4.4	6.4	9.5	12.5	15.5	18.5	22.5	25.5	33.8	50.5	50.6	36	
电源线规格 Wires Specification	mm2	5×1.5		5×2.5		4×4+1×2.5		4×6+1×4				4×10+1×6		3×16+2×10		3×25+2×16		3×16+2×10
电源线长度 Wires Length	M	5																
外形尺寸 Dimensions	L(mm)	0.49	0.525	0.605	0.715	0.74	0.8	0.95	1.05	1.14	1.26	1.49	1.86	1.35	1.55	1.55	2.18	
	W(mm)	0.36	0.36	0.57	0.66	0.67	0.69	0.85	0.9	0.91	0.98	1.1	1.25	1.05	1.25	1.25	1.62	
	H(mm)	0.55	0.65	0.88	1.09	1.26	1.385	1.55	1.64	1.76	1.86	2.57	2.75	2.5	2.8	3.3	4.11	
机器重量 Weight	KG	30	30	47	63	65	95	130	155	186	225	280	320	380	500	580	650	
法兰ID2 Flange Id2	M	0.04	0.04	0.05	0.05	0.05	0.063	0.063	0.076	0.1	0.1	0.101	0.101	0.101	0.010	0.010	0.010	
法兰L1 Flange L1	M	0.09×0.09	0.09×0.09	0.13×0.13	0.13×0.13	0.13×0.13	0.13×0.13	0.13×0.13	0.12×0.141	0.12×0.141	0.12×0.141	0.21×0.21	0.21×0.21	0.21×0.21	0.21×0.21	0.21×0.21	0.21×0.21	
法兰L2 Flange L2	M	0.12×0.12	0.12×0.12	0.175×0.175	0.175×0.175	0.175×0.175	0.175×0.175	0.175×0.175	0.175×0.18	0.18×0.18	0.18×0.18	0.25×0.25	0.25×0.25	0.25×0.25	0.25×0.25	0.25×0.25	0.25×0.25	
选配部件 Optional Accessories		1.磁力底座 Magnetic Seat 2.磁力架 Hopper Magnet 3.热风回收过滤器 Hot Air Recycler 4.排风过滤器 Exhaust Air Filter 5.L型脚架 L Type Floor Stands 6.A型脚架 A Type Floor Stands 7.吸料箱 Material Suction Box																

注: 产品规格若有变更, 恕不另行通知。 We reserve right to change specifications without prior notice.

箱型干燥机 Series Cabinet Dryers

TCD



● 特点 Features

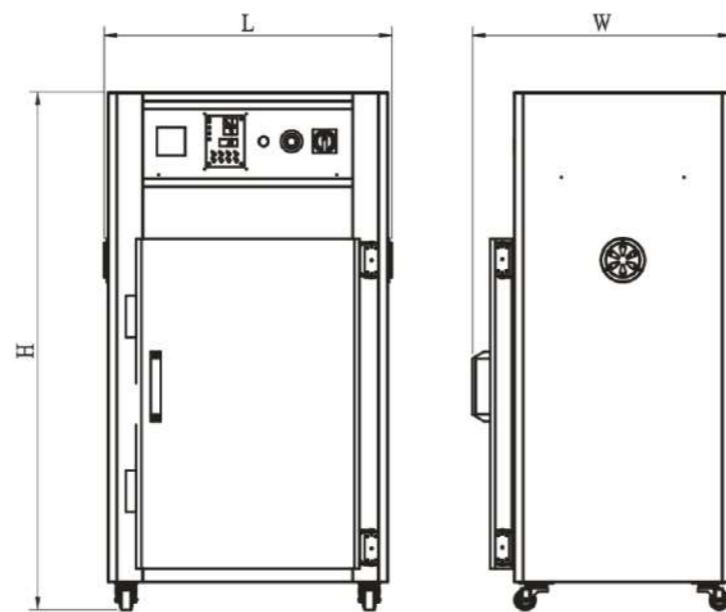
- 采用PID温度控制系统,提供均匀的烘干效果。
- 高温密封门保持一致的温度和降低电力的损耗。
- 不锈钢烤盘,可防止烘干过程中污染原料。
- 高效率之回圈热风回收再利用设计,省电、耐用,可同时干燥多种塑胶,节省能源。
- 可调式空气阀门设计,入风口,排风口均采用可调式设计,可方便调节风量。
- 可调式超温保护器,避免超温干燥。
- 具有超温过载等安全保护装置。
- 配备警示灯,可立即反应故障。
- 马达过载保护及故障指示,方便维护保养。
- 活动式台车设计,方便移动。
- 配有24小时定时装置,可预先设定任何时间,予以干燥,操作方便

- To adapt P.I.D temperature control system for achieving an even dry effect.
- Air-proofed insulated door can keep temperature constantly inside to reduce energy consumption.
- Stainless Steel tray can ensure material free from contamination.
- High efficient return air recycling for significant power saving and can simultaneously dry various materials.
- Adjustable air inlet and outlet design, easy for adjust air capacities.
- Adjustable overheat protector can prevent excessive drying.
- Safety device with overheat and overload protection.
- Alarm lamp is fitted for indicating malfunction immediately.
- Motor overload protection and malfunction indication, easy maintenance.
- Caster wheels design for easy moving.
- 24 hours auto start/stop timers can be set at anytime for drying, easy operation.

主要用于塑胶原料的干燥,尤其处理少量多样或测试用之塑胶的干燥可免除换料、清料之困扰,节省工时。全机采用精密PID电子温度控制,24小时开关机定时功能,操作简单,性能稳定,能耗更低,干燥最高温度达250℃。

Cabinet Dryers are mainly applied to plastic material drying, particularly for simultaneous drying various plastic materials with small quantities or for trial molding purpose. It can avoid annoy on changing and cleaning plastic materials to save working time. All these models adapt precise P.I.D temperature control to have the function of 24 hours timer for start/ close dryer at setting time and drying temperature up to 250. This series is with superior features on easy operation, stable function, and low consumption.

● 产品结构图 Product Structure Diagram



● 规格表 Specification Sheet

产品型号 Model		TCD-5	TCD-9	TCD-20
内部尺寸Inside Dimensions H×W×D	M	0.6×0.5×0.6	0.9×0.6×0.6	1.1×1.2×0.6
外部尺寸Outside Dimensions H×W×L	M	1.31×0.68×0.83	1.61×0.68×0.83	1.44×0.81×1.33
电热功率Heater Power	KW	5	6	9
风机马达功率Blower	KW	0.37	0.37	0.75
温控范围Temperature Range	℃	150℃	150℃	150℃
盘架数Num.of Trays		5	9	20
装料量Capacity	KG	45	81	180
重量Weight	KG	120	150	300
电源Voltage	V	380VAC 3P/PE 50Hz		

注: 产品规格若有变更, 恕不另行通知。 We reserve right to change specifications without prior notice.

蜂巢式转轮除湿机 Honeycomb Rotor Dehumidifiers

TDH



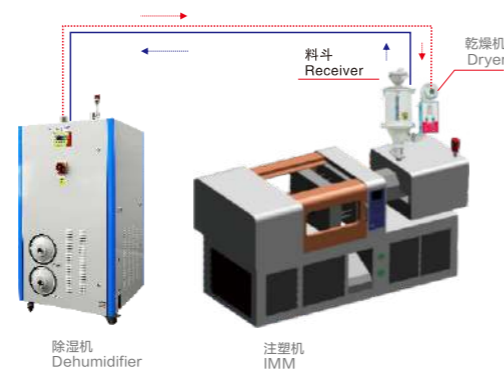
● 特点 Features

- 采用PID温度控制系统，可精准控制再生温度，确保露点的稳定性。
 - 采用双冷却器结构，确保更低回风温度及露点。
 - 内部装有回风过滤器，确保蜂巢转轮不受原料粉尘污染。
 - 采用进口蜂巢式除湿转轮，为干燥机提供露点-40以下的成型条件。
 - 采用矽胶吸附式蜂巢除湿，再生温度只需180℃，相对于分子筛结构需200℃以上的再生温度节约能源。
 - 采用国外高级进口零组件，提高性能及延长使用寿命，节省维修成本。
 - 外型粉体烤漆，美观大方。结构简单紧凑，机器占地小，节省空间，移动方便，可任意更换，机台使用，设计人性化方便保养维修。
 - 结构简单紧凑，机器占地小，节省空间，移动方便，可任意更换，机台使用，设计人性化方便保养维修。
- To adopt P.I.D temperature controller to accurately control regenerative temperature to ensure dew-point stable.
 - To employ double coolers for ensuring lower return air temperature and dew-point value.
 - Return air filter is installed inside to ensure no powder & dust contamination to the honeycomb rotor.
 - To adopt imported honeycomb rotor for providing molding condition with dew-point -40℃ & even below for hoper dryer.
 - To adopt silica gel absorption honeycomb with low regenerative temperature at 180℃ which can save more power if compare with molecular sieve structure with regenerative temperature at 200℃ above.
 - Using imported superb parts which enhance function and extend service life for saving maintenance cost.
 - Powder coated frame of machine with exquisite appearance.
 - Compact construction; small footprint to save space ; move conveniently for any machines use ; optimum design for easy maintenance.

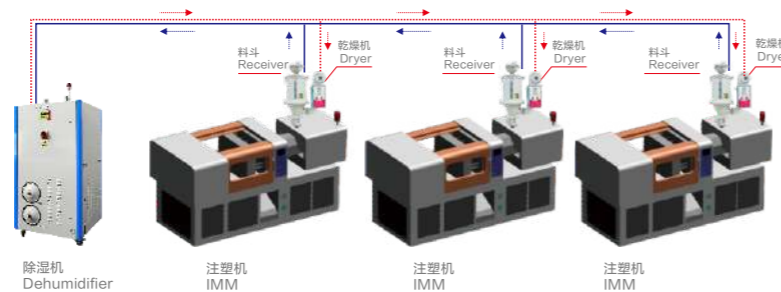
主要与热风式干燥机搭配,专门对吸湿性较强的工程塑料(如: Nylon, PC, PBT, PET等)进行高效率的除湿干燥作业,该系列采用高效能转轮,在理想状态下,能确保-40℃露点的稳定除湿效果。干燥风量50~1000 m3/hr。

Honeycomb Rotor Dehumidifier are mainly to work with hopper dryers together which are specialized for drying engineering plastics to contain high hygroscopicity such as Nylon, PC, PBT, PET etc. It adapts high efficiency rotor which can ensure dew-point at -40℃ with stable dehumidifying effect. The drying air flow ranges from 50~1000 m3/hr.

● 一对一除湿系统 One to One Dehumidifying System



● 一对多除湿系统 One to Multiple Dehumidifying System



● 规格表 Specification Sheet

产品型号 Model	TDH-50C	TDH-80C	TDH-120C	TDH-200C	TDH-300C	TDH-400C	TDH-500C	TDH-700C	TDH-1000C	
除湿风量 Dehumidifying Air Capacity	CMH	50	80	120	200	300	400	500	700	1000
除湿马达 Dehumidifying Motor	KW	0.37	0.75	1.1	2.2	4	5.5	7.5	3.7	9
再生马达 Regen Motor	KW	0.18	0.5	0.37	0.55	0.75	0.75	1.5	1.5	2.4
再生电热 Regen. Heater	KW	2.5	3	4	6	8	8	10	12	15
除湿口径 Pipe Size	inch	2	2	2	2.5	3	3	4	5	5
转轮马达功率 Rotor Motor Capacity	W	15			40			60		80
系统电源 Power Supply	V	380VAC 3P/PE 50Hz								
控制电源 Control Voltage	V	220VAC 1P/PE 50Hz								
总功率 Total Power	KW	3.2	4.2	5.6	10	13	14.5	20	18	26.5
电源线规格 Wires Specifications	mm2	4 × 2.5		4 × 4		4 × 6		4 × 10		
电源线长度 Wires Length	M	5								
外观尺寸 Dimensions	L (m)	0.71	0.79	0.74	0.83	0.96	0.96	1.05	1.05	1.05
	W (m)	0.65	0.74	0.75	0.81	0.95	0.95	1.05	1.49	1.49
	H (m)	1.43	1.5	1.49	1.79	2	2	2.14	2.34	2.34
冷却水流量 Cooling Water Flow	GPM	1.5		3		9				
冷却水接管 Cooling Water Pipe Size	inch	3/4			1					
机器重量 Weight	KG	150	200	220	280	320	330	420	445	470
选配 Option		露点显示 Dew-point Indicators								

● 干燥能力 Drying Capacities

原料 Material	干燥温度 Drying Temperature (°C)	干燥时间 Drying Time (hr)	比热 Specific Heat	原料比重 Specific Gravity (Kg/dm3)	干燥能力/Drying Capacities(kg/hr)								
					TDH-50C	TDH-80C	TDH-120C	TDH-200C	TDH-300C	TDH-400C	TDH-500C	TDH-700C	TDH-1000C
ABS	80	2-3	0.34	0.6	18	27	35	105	180	210	285	355	425
CA	75	2-3	0.5	0.5	15	22	30	90	150	180	235	295	355
CAB	75	2-3	0.5	0.5	15	22	30	90	150	180	235	295	355
CP	75	2-3	0.6	0.6	18	27	35	106	180	210	285	355	425
LCP	150	4	0.6	0.6	13	20	27	80	135	160	210	265	320
POM	100	2	0.35	0.6	27	40	53	160	265	320	425	530	640
PMMA	80	3	0.35	0.65	19	29	38	115	192	230	307	383	460
IONOMER	190	3-4	0.55	0.5	11	17	22	66	111	133	177	220	265
PA6/66/67	75	4-6	0.4	0.65	10	14	19	58	96	115	153	192	230
Pa11	75	4-5	0.58	0.65	12	17	23	69	115	138	184	230	275
Pa12	75	4-5	0.28	0.65	12	17	23	69	115	138	184	230	275
PC	120	2-3	0.28	0.7	21	31	41	124	206	250	330	413	495
PU	90	2-3	0.45	0.65	19	29	38	115	190	230	307	383	460
PBT	130	3-4	0.3-0.5	0.7	15	23	31	93	155	186	248	310	372
PE	90	1	0.55	0.6	53	80	106	318	531	637	850	1062	1275
PEI	150	3-4	0.6	0.6	13	20	27	80	133	160	212	265	320
PET	160	4-6	0.3-0.5	0.85	13	19	25	75	125	150	200	250	300
PETG	70	3-4	0.6	0.6	13	20	27	80	133	160	212	265	320
PEN	170	5	0.85	0.85	15	23	30	90	150	180	240	300	360
PES	150	4	0.7	0.7	15	23	30	90	150	180	240	300	360
PMMA	80	3	0.65	0.65	19	29	38	115	190	230	307	383	460
PPO	110	1-2	0.4	0.5	22	33	44	133	220	265	355	440	430
PPS	150	3-4	0.6	0.6	13	20	27	80	133	160	212	265	320
PI	120	2	0.27	0.6	27	40	53	160	265	320	425	530	640
PP	90	1	0.46	0.5	44	66	88	265	442	530	710	885	1060
PS(GP)	80	1	0.28	0.5	44	66	88	265	442	531	708	885	1062
PSU	120	3-4	0.31	0.65	14	22	29	85	145	173	230	290	345
PVC	70	1-2	0.2	0.5	22	33	44	135	220	265	355	442	530
SAN(AS)	80	1-2	0.32	0.5	22	33	44	135	220	265	355	442	530
TPE	110	3	0.7	0.7	20	30	40	125	205	250	330	413	495

备注 Remark: (1)使用独立的干燥料斗; (2)在20℃的大气温度及65%的相对湿度下,干燥后其水份含量低于0.05%
(1) In an independent drying hopper; (2) Base on relative humidity 65% with ambient temperature of 20℃, moisture content after drying can be 0.05% or less.
注: 产品规格若有变更,恕不另行通知。 We reserve right to change specifications without prior notice.

三机一体(节能型 三机一体) 3 in 1 Compact Dehumidifying Dryers

TDA



● 特点 Features

- 集除湿、干燥、二段送料三种功能于一体，并可选择三段送料功能。
- 稳定供应-40露点的除湿空气大幅度提高产品品质。
- 耗电低、功效高。(每小时耗电量0.6度，传统型耗电2.5度)
- 双层保温干燥桶采用下吹式风管设计，防止热能流失，提高干燥效率。
- 全不锈钢上、下送料系统，避免原料污染。
- 封闭式循环除湿气及送料系统，可避免干燥后的原料因接触外界空气而再度回潮。
- 采用无触点固态继电器控制加热。(选配)。
- 故障智能警报，时间智能预约。
- 光学级除粉式三机一体专用于无尘或净化车间。
- 多重保护装置。
- 采用国外高级进口零组件，提高性能及延长使用寿命，节省维修成本。
- 外型粉体烤漆，美观大方。
- 结构简单紧凑，机器占地小·节省空间，移动方便·可任意更换机台使用。
- 设计人性化方便保养维修。

- To integrate the function of dehumidifying , drying and two-stage conveying into single unit. Three-stage conveying function is optional.
- To improve the quality of finished products greatly thanks to supply stable dehumidified at -40 dew-point.
- Low power consumption , high efficiency (power consumption for energy saving type with reading 0.6 kW.h while conventional type with reading 2.5 kW.h)
- Double-wall insulated hopper dryers features down-blowing pipe design to avoid heat dispersion for improving drying efficiency.
- Feeding system is made of stainless steel to eliminate material contamination.
- Closed-loop circulation for dehumidified air & feeding system to avoid the possibility of moisture regain for absorbing outside air during material conveying.
- To adopt electromagnetic contactless relay control heating. (option)
- Intelligent microprocessor control for faulty alarm & pre-heating setting.
- Optical-class powder-removing models are suitable for clean workshop.
- Multiple safety protection device.
- Using imported superb parts which enhance function and extend service life for saving maintenance cost.
- Powder coated frame of machine with exquisite appearance.
- Compact construction; small footprint to save space ; move conveniently for any machines use.
- Optimum design for easy maintenance.

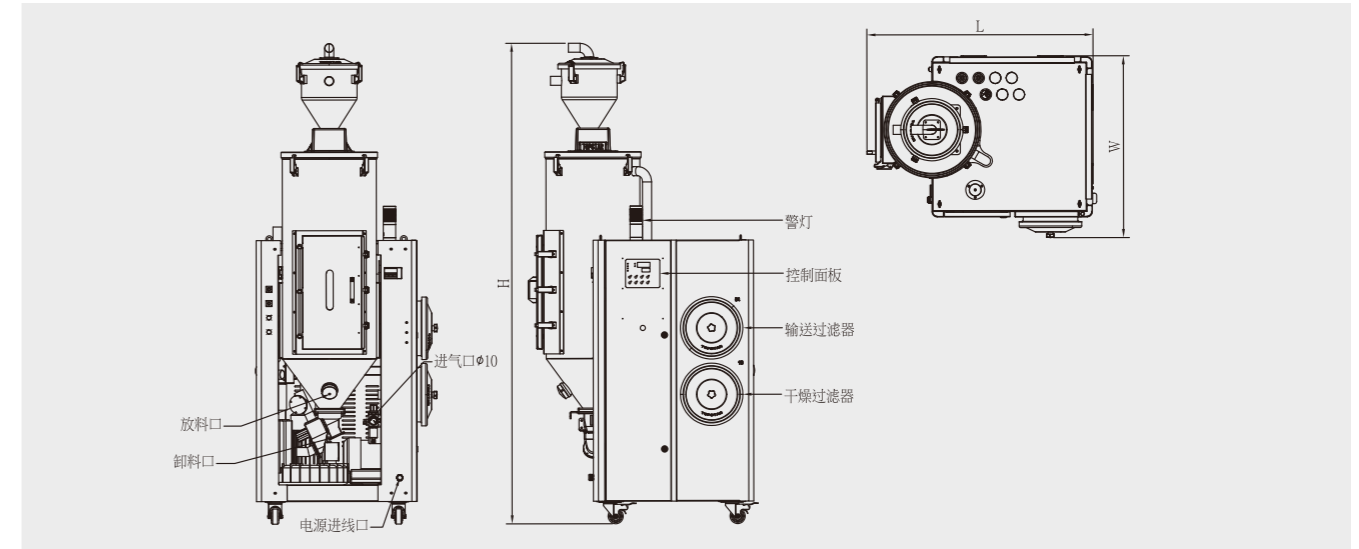
节能型三机一体的设计系统更为简化，不仅减少系统之耗电量，功效高，超节能省电高达60%，且体积小，不占空间，特别适用于无尘车间。不需接冷却水，故移动方便。构造简单，机器信赖度高。全机采用微电脑控制，操作简单，性能稳定，能耗更低，干燥风量30~300 m³/hr。此外也针对光学级产品之生产制造而设计光学级节能型三机一体除湿干燥机，以满足客户不同之需。

The energy saving type simplifies the design of system which reduces power consumption, high efficiency, ultra energy saving up to 60%. The design of machine appearance is compact to save space, ideal to high demands on limited space of clean workshop. It can move everywhere conveniently thanks to no requirement of cooling water for machines. The mechanical construction is simple to enhance machine reliable. The series design particularly for optic products. It adapts PLC controller with the superior features on easy operation, stable function, low power consumption. The drying air flow ranges from 30~300 m³/hr. In addition, we design optic class 3 in 1 compact heatless dehumidifying dryers (energy saving type) for optic products to satisfy with customers' various demands.

● 选择加装配件 Options

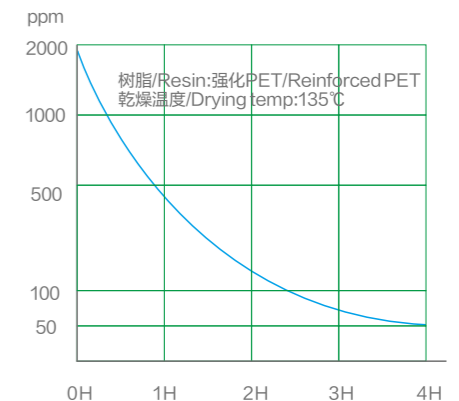
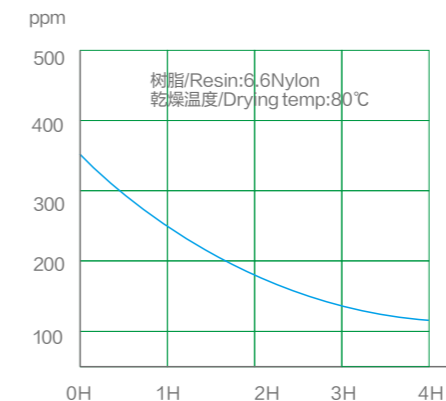
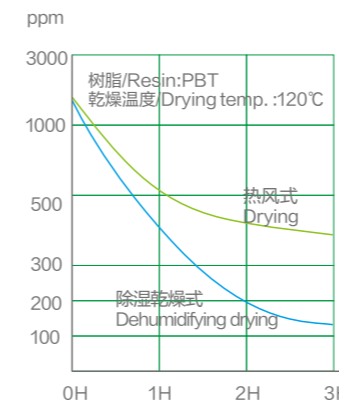


旋风分离器图
Cyclone Separator



机型	TDA-25C	TDA-50C	TDA-75C	TDA-100C	TDA-150C	TDA-200C	TDA-300C
L (mm)	925	998	1158	1158	1445	1445	1481
W (mm)	797	797	832	832	959	959	951
H (mm)	1805	2018	1992	2253	2345	2727	2800

● 工程塑料干燥曲线图 Engineering Plastic Drying Curve Chart

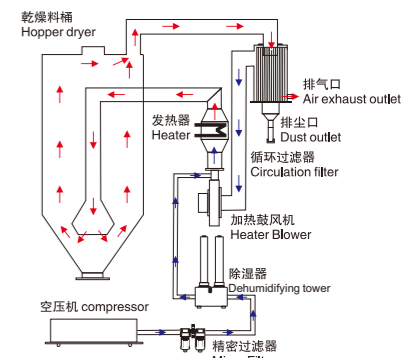


● 干燥流程

- ◆ 在变缸除湿塔内急速降压的同时,就能获得-40的露点除湿气。
- ◆ 除水除油筛检程式将车间送来的压缩空气中的水份及油份过滤清洁,再送到除湿塔。
- ◆ 把-40露点除湿气(单向输送)不停的送到密封式除湿料桶,将料桶内所有原材料的湿气吸干。
- ◆ 该系统是单向送气,无须使用再生除湿气。

● Drying Procedure

- ◆ Low dew point -40 of dehumidified air will be obtained simultaneously by reducing pressure rapidly in the dehumidifying tower.
- ◆ Excessive oil and water content from compressed air supply of workshop will be filtered before sending to dehumidifying tower.
- ◆ -40 dew point of dehumidified air will be continuously delivered to close hopper dryer until moisture expelled to dried.
- ◆ Air was delivered in one way direction under the system which no.



● 规格表 Specification Sheet

产品型号Model		TDA-25C	TDA-50C	TDA-75C	TDA-100C	TDA-150C	TDA-200C	TDA-300C
料桶容量 Hopper Capacity	KG	25	50	75	100	150	200	300
干燥电热功率 Drying Heater Capacity	KW	2.5	2.5	4	4	6	9	15
干燥风机功率 Drying Blower Capacity	KW	0.25	0.37	0.75	0.75	1.5	2.2	2.2
输送风机功率 Conveying Blower Capacity	KW	1.1	1.1	1.1	1.1	1.1	2.2	1.5
处理风量 Air Capacity	L/min	30	50	80	80	110	150	305
系统电源 Power Supply	V	380VAC 3P/PE 50Hz						
控制电源 Control Voltage	V	220VAC 1P/PE 50Hz						
总功率 Total Power	KW	3.85	4.0	6.8	6.8	9.6	10.4	19
电源线规格 Wires Specifications	mm2	4 × 2.5	4 × 4				4 × 6	4 × 10
电源线长度 Wires Length	M	5						
露点 Dew point	°C	-40°C以下 Below -40						
料管口径 Material Pipe Size	inch	1.5						
料斗(成型机上) Hopper Receiver		SR3E-40			SR6E-40			SR12E-40
机器重量 Weight	KG	191.5	208	232	241	341	372.5	599
选配 Option		1.露点显示 Dew-point Indicators 2.旋风分离器 Cyclone Separator						

注：产品规格若有变更，恕不另行通知 We reserve right to change specifications without prior notice.

● 干燥能力 Drying Capacities

原料 Material	干燥温度 Drying Temperature(°C)	干燥时间 Drying Time (hr)	干燥能力/Drying Capacities(kg/hr)						
			TDA-25C	TDA-50C	TDA-75C	TDA-100C	TDA-150C	TDA-200C	TDA-300C
ABS	80	3-4	5	10	18	25	38	50	76
POM	100	2	13	25	30	50	75	100	150
PMMA	80	2-3	12.5	17	22.5	35	46.5	58.5	100
LONOMER	90	4-5	5	10.5	12.5	20	25	36.5	60
Pa6	75	4-6	4.5	9	10	17	25	34	50
Pa6.6	75	4-6	4.5	9	10	17	25	34	50
Pa6.10	75	4-6	4.5	9	11	17	25	34	50
PC	120	3-4	7.5	13	16.5	25	38	50	76
PU	90	2-3	12.5	17	22.5	35	46.5	58.5	100
PBT	130	3-4	8	13	17	24	36	48	72
PE	90	1	25	50	70	100	150	200	300
PET	160	4-6	7	9	12	17	25	34	50
PETG	70	3-4	7.5	13	16.5	25	38	50	72
PPO	110	2	15	25	37.5	50	75	100	150
PP	90	1	25	50	70	100	150	200	300
PD(GP)	80	1	25	50	70	100	150	200	300
PSU	120	3-4	7	13	17	27	36	50	72
PVC	70	1	25	50	70	100	150	200	300
SAN(AS)	80	2	15	25	37.5	50	75	100	150

注：产品规格若有变更，恕不另行通知。 We reserve right to change specifications without prior notice.



● 特点 Features

- 标准型三机一体除湿机都配备蜂巢转轮，可得到稳定性好的低露点干燥空气。
- 集除湿、干燥、二段送料三种功能于一体，并可选择三段送料功能。
- 双层保温干燥料桶采用下吹式风管设计，防止热能流失，提高干燥效率。
- 除湿系统采用双冷却器结构，确保更低回风温度及露点。
- 送料系统配备截料阀，确保料管中无残余原料。
- 多重保护装置。
- 光学级机型所有原料接触面采用不锈钢镜面抛光处理，并且搭配密闭回路的送料系统，可避免干燥后的原料因接触外界空气而再度回潮。
- 采用PID温度控制系统，可精准控制再生温度，确保露点的稳定性。
- 内部装有回风过滤器，确保蜂巢转轮不受原料粉尘污染。
- 采用国外高级进口组件，提高性能及延长使用寿命，节省维修成本。
- 外型粉体烤漆，美观大方。

- 3 in 1 compact dehumidifying dryers are equipped with honeycomb rotor which can acquire stable low dew-point drying air.
- To integrate the function of dehumidifying, drying and two-stage conveying into single unit. Three-stage conveying function is optional.
- Double-wall insulated hopper dryers features down-blowing pipe design to avoid heat dispersion for improving drying efficiency.
- The dehumidifying system employ double coolers for ensuring lower return air temperature and dew-point value.
- Feeding system is equipped with shut-off valve to ensure no remaining material in hopper tube.
- Multiple safety protection device.
- Optical-class models use mirror polished treatment on the material contact surface to avoid material contamination and collocate feeding system with closed-loop in order to avoid the possibility of moisture regain for absorbing outside air during material conveying.
- To adopt P.I.D temperature controller to accurately control regenerative temperature to ensure dew-point stable.
- Return air filter is installed inside to ensure no powder & dust contamination to the honeycomb rotor.
- Using imported superb parts which enhance function and extend service life for saving maintenance cost.
- Powder coated frame of machine with exquisite appearance.

三机一体(蜂巢转轮型三机一体)
3 in 1 Compact Dehumidifying Dryers

TDB

乃是集合除湿，干燥，送料三种功能于一机。三机一体的设计不占空间，体积小特别适用于自动化程度高，空间紧凑的场所。全机采用微电脑控制，控制操作简单，性能稳定，能耗更低，干燥风量50~300 m3/hr。此外也针对光学级产品之生产制造而设计光学级三机一体除湿干燥机，以满足客户不同的需求。

This series integrate the function of dehumidifying, drying, and two-stage conveying into one unit with compact design to save space, ideal to high demands of automation system and limited working space. It adapts PLC controller with the superior features on easy operation, stable function, and low power consumption. The drying air flow ranges from 50~300 m3/hr. In addition, we design optic class 3 in 1 compact dehumidifying dryers for optic products to satisfy with customers' various demands.

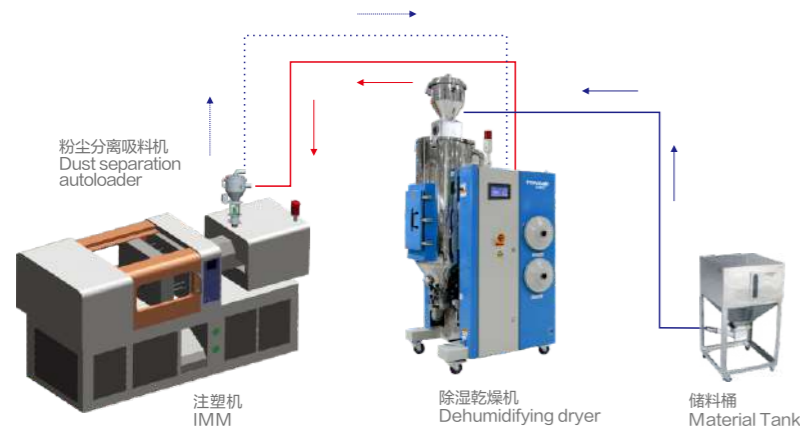
陶瓷蜂巢转轮除湿机
Ceramics Honeycomb Rotor Dehumidifier
50-300风量Air volume

全不锈钢保温下吹式干燥机
Full stainless insulated hopper dryer
(hot air down-blowing type)25-300KG

全不锈钢二段或三段送料机 管中无料装置
Full stainless autoloader for 2-stage or 3-stage conveying (no residual material in the pipe)

高质量高效率的干燥输送系统
High-quality and high-efficiency drying delivery system

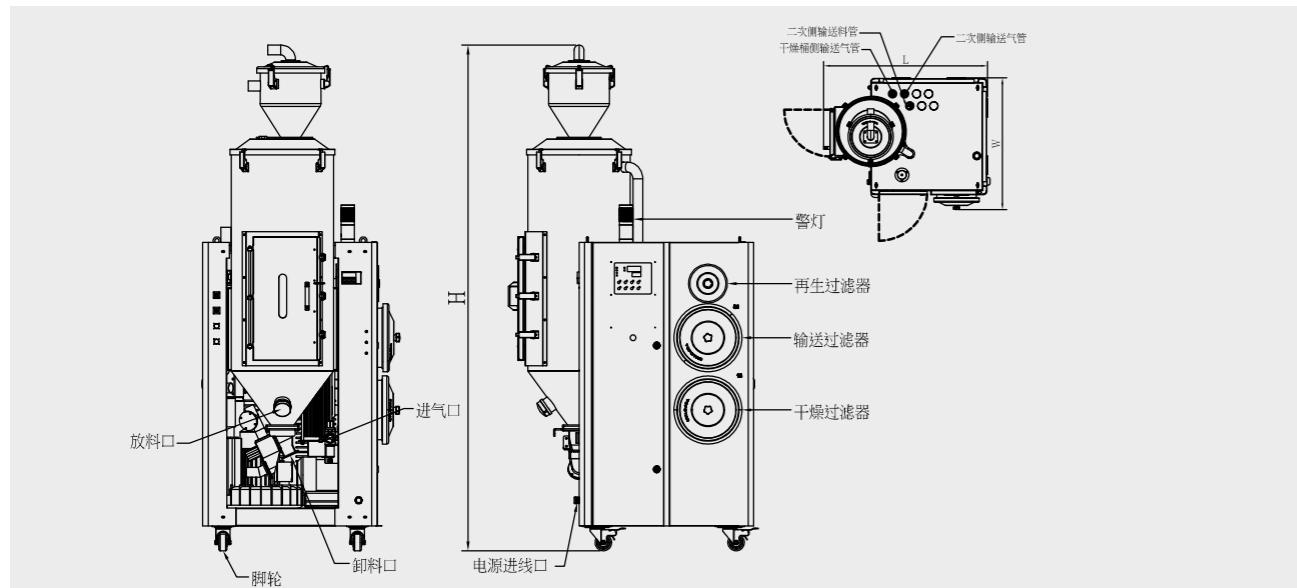
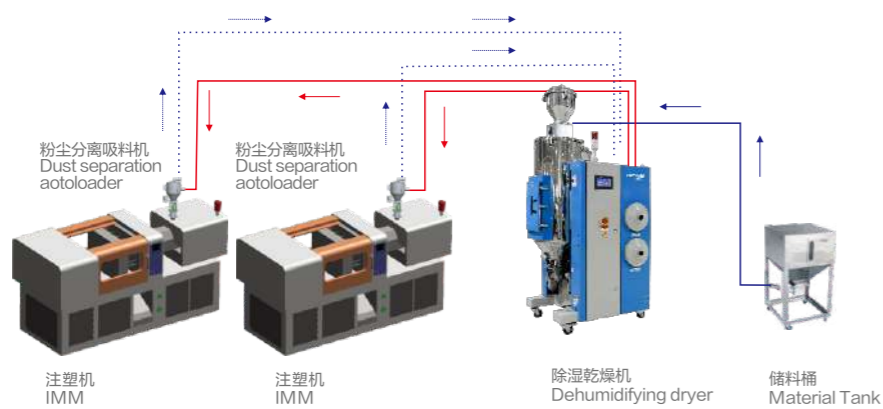
● 一对一除湿干燥送料系统 1 to 1 Dehumidifying drying and feeding System



原料除尘装置获得实用新型专利
Practical New Patent for Dust Filter Device
专利号/Patent No : ZL
201120301776.9

该专利亦可应用节能型三机一体,
中央供料系统, 自动送料系统
The Patent can be applied to 3
in 1 Heatless Dehumidifying
Dryers (Energy - Saving
type), Centralized Feeding
System, Feeding & Conveying
System

● 一对二除湿干燥送料系统 1 to 2 Dehumidifying drying and feeding System



机型	TDB-25C	TDB-50C	TDB-75C	TDB-100C	TDB-150C	TDB-200C	TDB-300C
L (mm)	953	953	1174	1250	1455	1532	1940
W (mm)	766	766	918	963	996	994	1018
H (mm)	1800	2038	2105	2282	2480	2465	2839

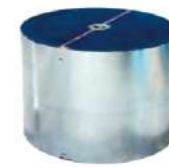
● 光学级三机一体除湿干燥机主零件 Main Components Optical Type of 3 in 1 Dehumidifying Dryers



控制器 Control panel

提供数位设定及显示干燥温度、供料时间、系统运作状况及错误讯息。并设有密码、不同参数设定, 干燥温度检测等。

Provide digital setting and display drying temperature, material feeding time, system operation status and error information. And is equipped with password, different parameters setting, the drying temperature detection, etc.



蜂巢式转轮 Honeycomb Rotor

蜂巢式陶瓷除湿转轮是以陶瓷纤维为基材形成蜂巢转轮, 然后利用特殊化学合成两段长晶方法, 把吸湿剂硅胶和分子筛子均匀长晶在陶瓷纤维转轮上, 使其具有极强吸湿能力。使用此转轮, 除湿干燥机可达到-40℃低露点, 并可使效能大幅度提升。

The "pollution-free" honeycomb rotor is coated with molecular sieves and silica gel that are strongly bonded to ceramic fibers inside the rotor by special chemical crystallization. With the rotor, the dryer can provide low dew-point (-40degree), and performs all of these processes more quickly and more efficiently than any other dryer available.



HEPA过滤器 HEPA Filter

使用高效能之HEPA过滤器 (0.3um/99.99%) 以防止任何污染。

The unit uses a high-performance HEPA filter (0.3um/99.99%) as drying filter to prevent any contamination.



光学级管路 Piping

光学级管路, 可防止输送原料时遭受污染。

All piping work is for sanitary applications to prevent contamination when conveying the dry material.

● 规格表 Specification Sheet

产品型号Model		TDB-25C	TDB-50C	TDB-75C	TDB-100C	TDB-150C	TDB-200C	TDB-300C
料桶容量 Hopper Capacity	KG	25	50	75	100	150	200	300
除湿风量 Dehumidifying Air	CMH	50	50	50	80	120	200	200
干燥电热功率 Drying Heater Capacity	KW	2.5	2.5	4	6	9	12	15
干燥风机功率 Drying Blower Capacity	KW	0.25	0.37	0.37	0.75	1.1	2.2	2.2
再生电热功率 Regen. Heate Capacity	KW	2.5	2.5	2.5	3	4	6	6
再生风机功率 Regen Motor Capacity	KW	0.18	0.18	0.18	0.25	0.37	0.55	0.55
输送风机功率 Conveying Blower Capacity	KW	1.1	1.1	0.75	1.1	1.1	1.5	1.5
系统电源 Power Supply	V	380VAC 3P/PE 50Hz						
控制电源 Control Voltage	V	220VAC 1P/PE 50Hz						
总功率 Total Power	KW	7.03	7.13	8.8	12.1	16.57	23.25	26.25
电源线规格 Wires Specifications	mm2	4 × 4				4 × 6	4 × 10	
电源线长度 Wires Length	M	5						
露点 Dew point	℃	-40℃以下 Below -40						
料管口径 Material Pipe Size	inch	1.5						
料斗(成型机上) Hopper Receiver		SR3E-40			SR6E-40			SR12E-40
机器重量 Weight	KG	242.5	257.5	231.5	312.5	454.5	554	650
选配 Option		1.露点显示 Dew-point Indicators 2.旋风分离器 Cyclone Separator						

注: 产品规格若有变更, 恕不另行通知 We reserve right to change specifications without prior notice.

双桶式三机一体
Double hopper 3 in 1
compact dehumidifying
dryer

TDA
TDB



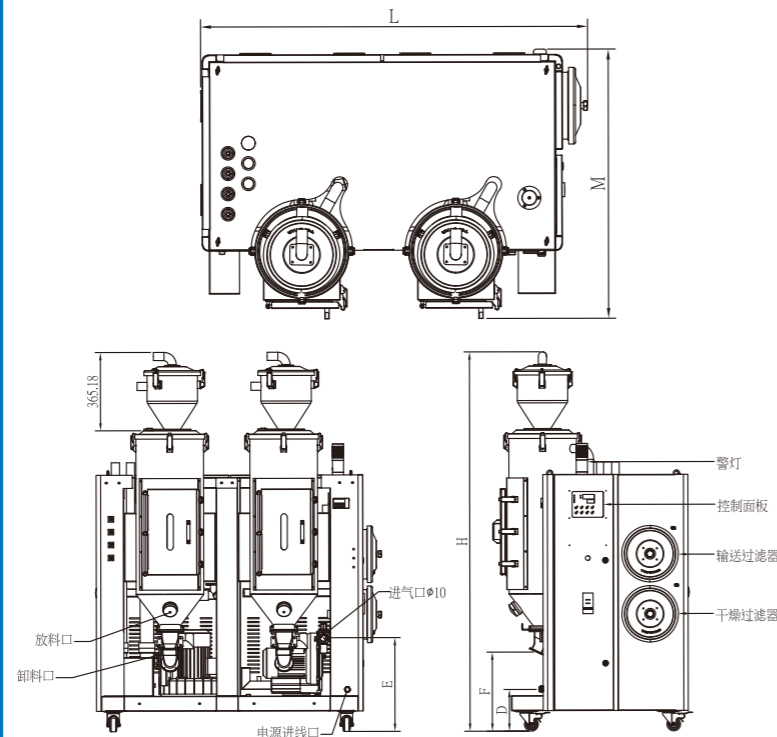
● **特点 Features**

- 双桶式三机一体，可同时干燥两种不同的原材料，设定不同的温度。
- 具备三机一体所有功能
- 省能源、省空间。

- Double hopper 3 in 1 compact dehumidifying dryer.
- Has all function of 3 in 1 compact dehumidifying dryer.
- Saves energy, saves space.

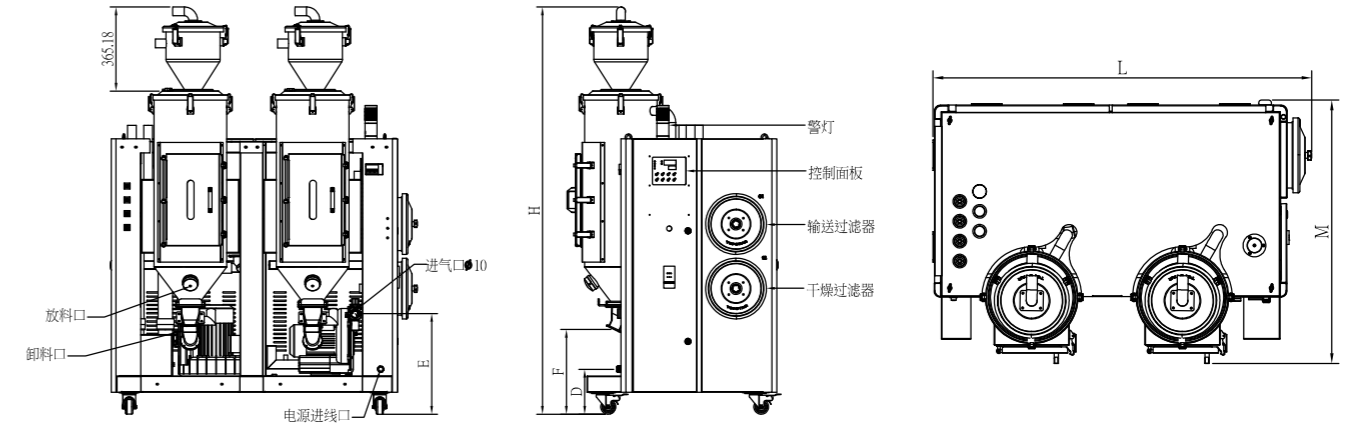
● **TDA双桶式三机一体 TDA Double hopper 3 in 1 compact dehumidifying dryer**

机型Model	TDA-25DC	TDA-50DC	TDA-75DC	TDA-100DC
L(mm)	1332	1332	1634	1635
M(mm)	927	956	1060	1060
H(mm)	1744	2003	2087	2167
D(mm)	195.5	195.5	195.5	195.5
E(mm)	420	420	420	420
F(mm)	368	350	276	370



● **TDB双桶式三机一体 TDB Double hopper 3 in 1 compact dehumidifying dryer**

机型Model	TDB-25DC	TDB-50DC
L(mm)	1332	1332
M(mm)	956	956
H(mm)	1944	1999
D(mm)	195.5	195.5
E(mm)	420	420
F(mm)	350	350



● **规格表 Specification Sheet**

产品型号Model	TDA-25DC	TDA-50DC	TDA-75DC	TDA-100DC	TDB-25DC	TDB-50DC	
除湿种类 Dehumidifying type	节能型 Energy saving type				转轮型 Homeycomb rotor type		
风量 Dehumidifying air capacity	m3/hr	35×2	50×2	80×2	100×2	35×2	
露点 Dew point	℃	提供-40℃压缩空气 Supply -40℃ pressure air				-40℃	
干燥温度 Drying Temperature	℃	70-160℃					
冷却方式 Cool mode		A、B桶温度差小于30度无需接冷却水 The temperature difference between barrels a and b is less than 30 degrees and cooling water is not required.					
干燥电热功率 Drying Heater Capacity	KW	2.5×2	3×2	3×2	4×2	2.5×2	
干燥风机功率 Drying Blower Capacity	KW	0.7	1.1	1.5	2.2	0.37	
再生电热功率 Regen. Heate Capacity	KW	无NONE				2.5	
再生风机功率 Regen Motor Capacity	KW	无NONE				0.18	
输送风机功率 Conveying Blower Capacity	KW	1.1			2.2	1.1	
系统电源 Power Supply	V	380VAC 3P/PE 50Hz					
控制电源 Control Voltage	V	220VAC 1P/PE 50Hz					
总功率 Total Power	KW	7.8	8.4	10	14.5	9.35	
电源线规格 Wires Specifications	mm2	4×2.5		4×4	4×6	4×4	
电源线长度 Wires Length	M	5					
料管口径 Material Pipe Size	inch	1.5					
料斗(成型机上) Hopper Receiver		SR3E-40			SR6E-40	SR3E-40	
机器重量 Weight	KG	283	320	365	380	296	
选配 Option		1.露点显示 Dew-point Indicators 2.旋风分离器 Cyclone Separator 3.中间料位计 Intermediate Level Meter					

注：产品规格若有变更，恕不另行通知。 We reserve right to change specifications without prior notice.

氮气三机一体 Nitrogen Dryer Series

TDN

● 特点 Features

- 高浓度氮气充满原材料，98%以上，成型合格率提高。
- 美国原装氮气发生器。
- 减少成型时产品黄变，提高产品合格率。
- 原料为全封闭结构，不受外界环境影响。
- 干燥筒在注塑机上方(20kg以下)。
- 延长成型机螺杆碳化时间，减少设备的维护成本。
- 利用日本制压缩空气无热再生原理提供脱湿空气。
- 设备为光学级除粉式，日本制高效过滤器，0.3μm X99.99%。
- 封闭循环式氮气输送。
- 超低能耗。
- 多重保护装置。
- 也可去除氮气装置，作为小型除湿干燥机使用(选选项)。

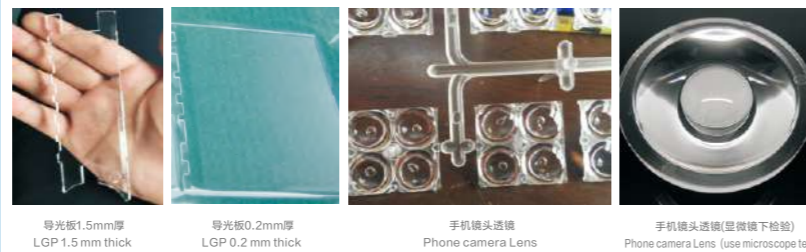
- Be full of high concentration nitrogen, above 98%, improve the qualified of molding.
- American original nitrogen generator.
- Reduce product yellowing during molding, improve the qualified of product.
- Material in whole sealing, not suffer from external environment.
- Dryer hopper installed above injection machine (below 20kg)
- Delaying carbonization time of make-up machine screw, reduce maintenance cost of machine.
- Apply dehumidifying air with compression air heatless regeneration principle from Japan.
- The equipment clean the powder optically.
- Delivery nitrogen in close system.
- Ultralow energy consumption.
- Multiple protect equipment.
- Also it can wipe off nitrogen equipment, use it as dehumidification dryer(option).



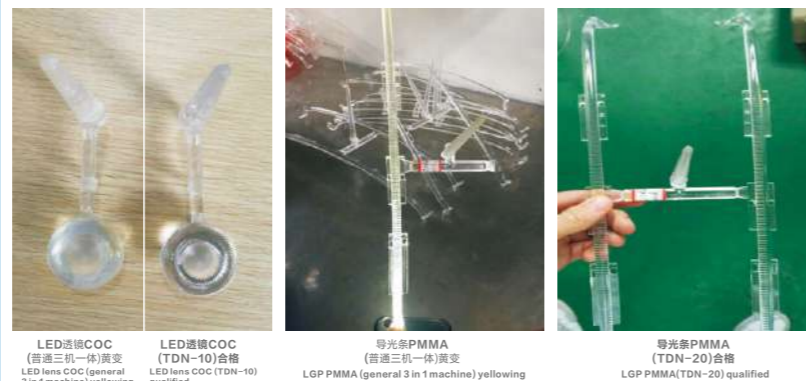
洁净环境下生产光学镜头及导光板等原材料的干燥设备。常用于PC、PMMA、COP、COC、PA46、OKP、PPS、PEI (ULTEM)。

Drying equipment that produce lianr and Light Guide Plate in clean environment. Usual be used for PC, PMMA, COP, COC, PA46, OKP, PPS, PEI (ULTEM).

● 产品展示(可以使用氮气三机一体) Product exhibit(can use nitrogen dryer series)



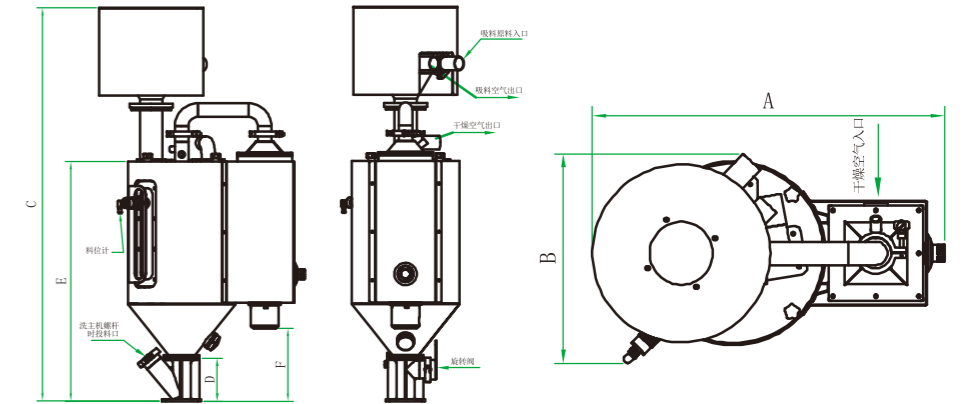
● 产品展示(使用氮气三机一体对比) Product exhibit(compare with nitrogen dryer series)



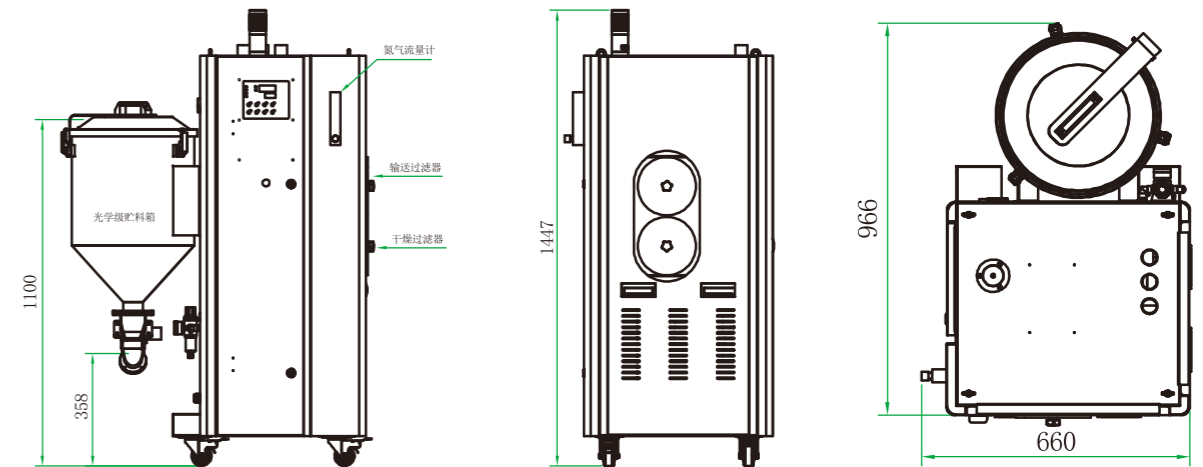
● 产品结构图 Product Structure Diagram

1、干燥桶体 Dryer Hopper

机型Model	TDN-10C	TDN-20C
A(mm)	573	625
B(mm)	341	387
C(mm)	1150	1254
D(mm)	120	120
E(mm)	670	775
F(mm)	203	308



2、三机一体主机 3 in 1 Compact Dehumidifying Dryers



● 规格表 Specification Sheet

产品型号Model		TDN-10C	TDN-20C
装料量(0.6kg/hr) Capacity(0.6kg/hr)	KG	10	20
干燥风量 Dry air capacity	m ³ /hr	20	30
氮气浓度 Concentration	%	98	
干燥温度 Dry temperature	℃	70-160	
干燥风机 Dry blower	KW	0.18	0.18
干燥加热管 Dry heater	KW	1.8	1.8
投料箱体积 Storage volume	Lr	40	
输送风机 Feed blower	KW	1.1	1.1
输送条件 Feed condition		料箱至干燥桶: Φ38PVC软管, 水平2米以内 Storage to hopper: Φ38PVC hosepipe, 2 m horizontal	
压缩空气条件 Compress air condition		大于0.6mpa*20Lr/min More than 0.6mpa*20Lr/min	
电源380V/50Hz Power380V/50Hz	KW	3.5	3.5

直接式吸料机 Single Autoloaders

TAL



● 特点 Features

- 采用全不锈钢材质结构，确保原料不受污染。
- 马达保护装置，可增长其使用寿命。
- 采用织布滤网配合不锈钢网过滤粉尘，具有马达逆转除尘功能。
- 采用不锈钢落料挡板，不需随不同原料而调整。
- 自动喷洗功能。
- 装配对射式光电开关，适于直接安装成型机入料口；装配近接开关，适于直接安装成型机料斗上。
- 采用玻璃料管搭配静电容感测器设计，可精确侦测原料输送。
- 缺料自动报警。
- 不锈钢型与感应型法兰座底与料斗是用卡箍锁住，便于拆卸。

- Stainless steel construction for ensuring material free from contamination.
- Motor overload protection device ensures its long service life.
- The adoption of Cloth mesh filter and stainless screener for double filtration protection to filter dust and motor reverse cleaning function.
- Mechanical stainless flap is fitted which don't need to be adjusted according to different material.
- Auto-cleaning function.
- Autoloaders equip with photo sensors which are mounted onto the feeding port of injection molding machines; autoloaders equip with proximity switch which are mounted onto the hopper dryers.

● 容易维护/快速清洁 Easy Maintenance / Quick Cleanup

TAL系列吸料机主要用于将流动性强的新料（主料）或次料直接快速输送到注塑机上，可掀式的真空马达上盖能保证清洗快速维护简便。

单相真空马达在设定的吸料时间产生真空气流把塑胶颗粒通过吸料管输送到吸料门内，之后原料直接落入到注塑机储料门内，这种吸料动作会持续进行直到注塑机储料门和吸料机料斗显示满料为止。

TAL series stainless steel (corrosion free) single hopper loader is designed to provide rapid transportation of free-flowing for virgin resin or regrind resin directly to injection molding machine. The design of hinged upper cover of vacuum motor ensures quick cleanup time and easy maintenance.

The single-phase vacuum suction motor creates a flow of air which carries the plastic granules into the hopper through the material conveying hose during setting suction time. The granules are then discharged directly into the processing machine hopper. This cycle is repeated until both the machine hopper and hopper loader are full.

● 稳定可靠的性能 Reliable Performance

吸料机的吸料时间、吸料动作以及吸料模式的选择的数位设定和显示都是通过微电脑处理器控制。具有故障自检与警报功能。所有型号的设备都是使用优质不锈钢材料，按照严格的工业标准制造，具有稳定可靠的性能。

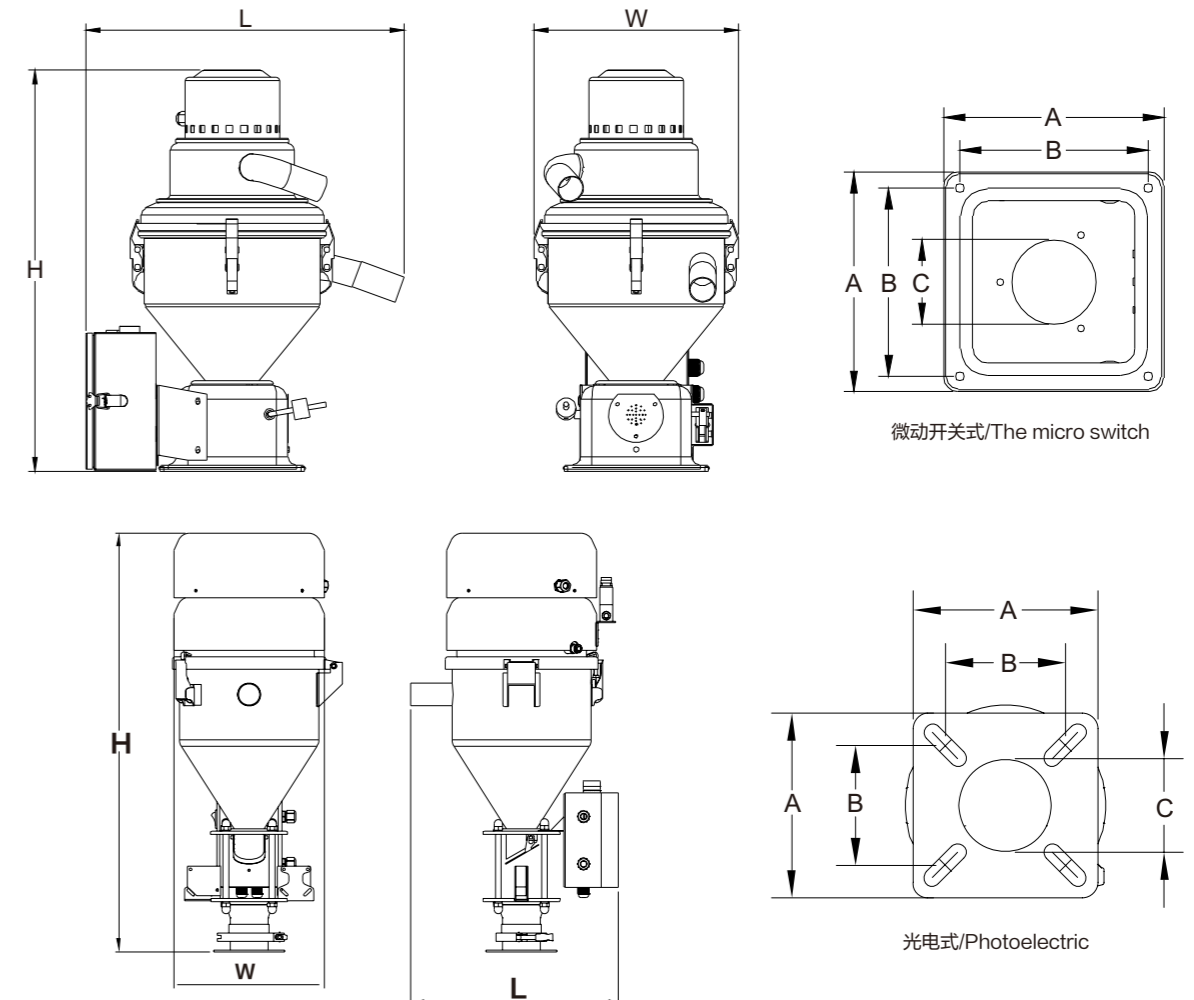
The setting and displaying for loading time, loading function, and mode selection digitally are controlled by microprocessor. Fault diagnosis & alarm are provided as standard features of the control. All models are built by the highest quality with stainless steel for providing consistent, reliable performance.

● 规格表 Specification Sheet

产品型号Model	TAL-6E-L	TAL-6-L	TAL-6I-L	TAL-3SE-L	TAL-6SE-L	TAL-3S-L	TAL-6S-L	TAL-12S-L	
料斗容量 Hopper Capacity	L	6	6	6	3	6	3	6	12
输送能力 Conveying Capacity	kg/h	200	200	400	70	140	70	140	200
风机功率 Blower Capacity	KW	1.4	1.4	0.75	1.4	1.4	1.4	1.4	1.4
感应类型 Sensor Type		光电式Photoelectric	近接式 Proximate	微动开式 The micro switch	光电式Photoelectric		近接式 Proximate		
系统电源 Power supply	V	220VAC 1P/PE 50Hz		380VAC 3P/PE 50Hz	220VAC 1P/PE 50Hz				
料管口径 Hose Size	mm	38.1 (1.5")			38.1 (1.5")				
过滤类型 Filter Type		不锈钢滤网加布织布Filter Netting & Cloth Filter3							
总功率 Total Power	KW	1.45	1.45	0.8	1.45	1.45	1.45	1.45	1.45
外观尺寸 Dimensions	L(m)	0.43	0.43	0.56	0.34	0.36	0.32	0.37	0.37
	W(m)	0.3	0.3	0.32	0.24	0.29	0.3	0.35	0.35
	H(m)	0.73	0.73	0.68	0.63	0.71	0.47	0.56	0.69
固定尺寸Size	A(m)	0.15	0.15	0.21	0.12×0.12	0.12×0.12	0.22	0.252	0.252
	B(m)	0.1	0.1	0.18	0.08	0.08	0.2	0.232	0.232
	C(m)	0.056	0.056	0.081	0.06	0.06	0.18	0.212	0.212
标配件 Standard Accessories		吸料管Suction Tube+PVC钢丝软管Hose							
机器重量 Weight	kg	17	19	28	13	15	12	15	16.5

注：产品规格若有变更，恕不另行通知。 We reserve right to change specifications without prior notice.

● 产品结构图 Product Structure Diagram



分离式吸料主机 Detachable Autoloaders

TAL

● 特点 Features

- 主机与料斗分离设计，安全简便，可满足客户的远距离的输料要求。
- 微电脑控制，操作简易，控制精确，有多项报警指示灯。
- 可根据不同需要选配不同料斗，提供多样性选择。
- 缺料警报，可主动通知客户进而排除状况。
- 马达保护装置，可增长其使用寿命。
- 独立滤清器装置，方便清除积尘。
- 可以选配旋风过滤器，减少滤清器清理次数，适用于粉碎料输送。
- 可选配两料比例阀，用于新料与粉碎料混合使用或粉碎料立即回收。

•The main controllers and material hopper receivers are designed separately for safety & convenient purpose which can match 2 or above 2 hopper receivers to achieve one to multi combination conveying. It enhances material conveying capacities greatly up to 700kgs/hr. The maximum loading distance is 10m. All models are suitable for conveying materials over long distance and easy operations which are satisfied with customers' various requirements.

•Microprocessor controls features with easy operation, accurate control and multiple alarm indicators.

•Various hopper receivers are available for selection to meet different requirements.

•Audible material shortage alarm for reminding customers in to solve faulty.

•Motor overload protection device ensures its long service life.

•Independent filter device is easy for cleaning.

•Cyclone dust separator is available as option to reduce cleaning filter time which is specially suitable for regrind material conveying.

•Proportional valve is available as option which is used for mixing virgin and regrind material and instant recycle regrind material

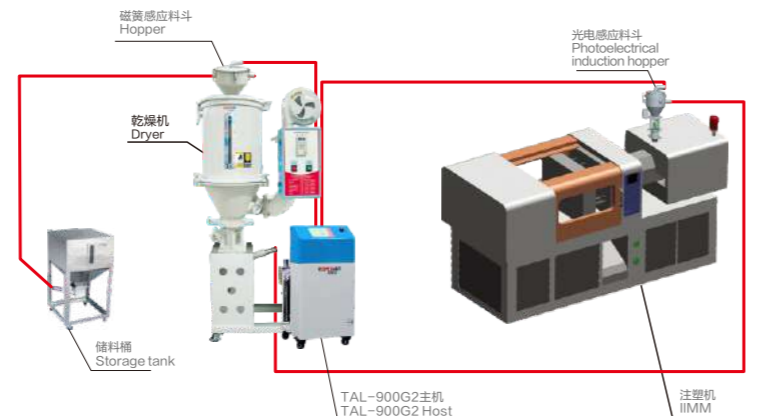


主机与料斗采用分离式设计，最多可搭配2个料斗，一对多输送，提高了原料输送能力，原料输送能力达每小时700公斤。最高扬程可达10米，适用于长距离原料输送，操作简单，可满足客户的需求。

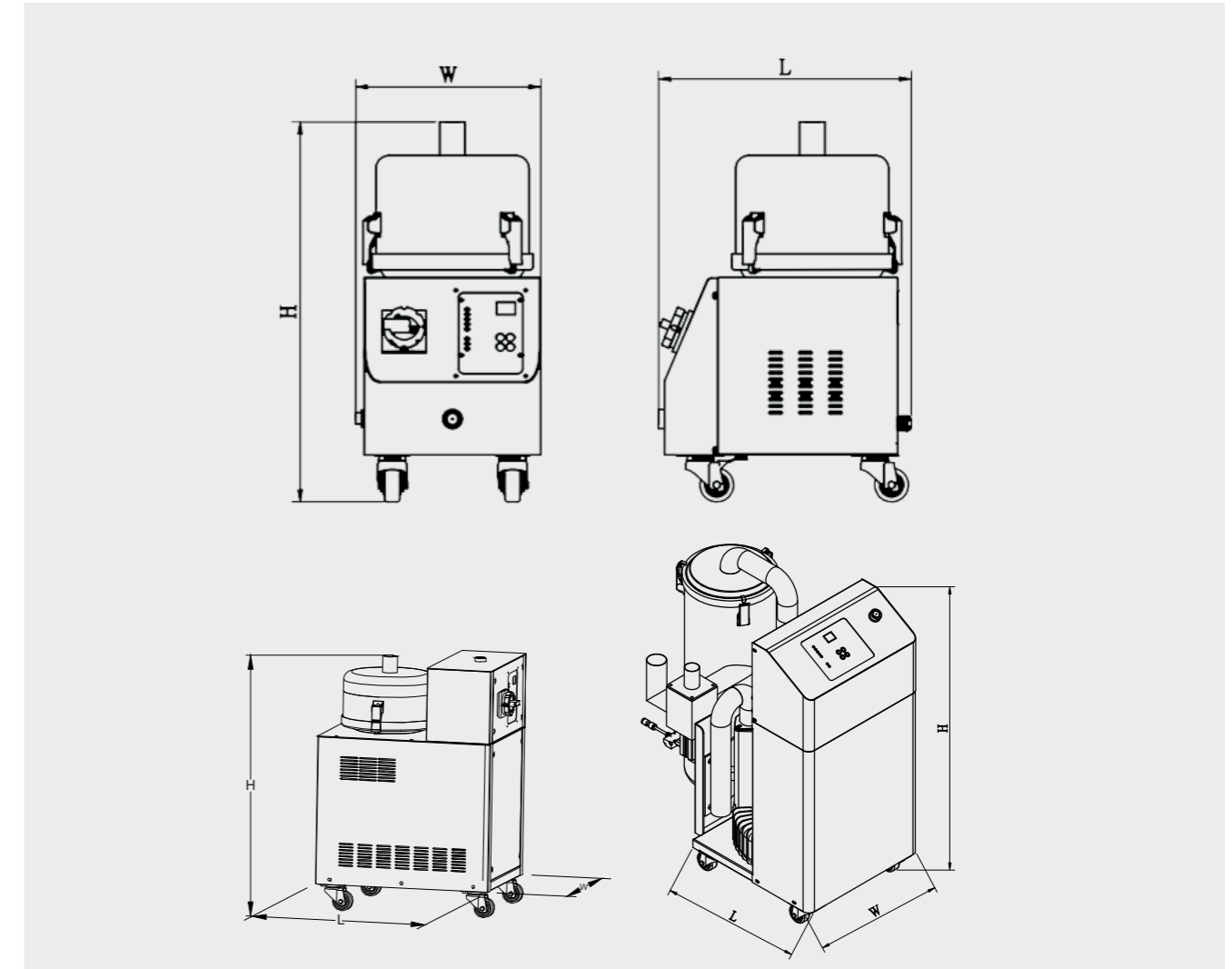
The main controllers and material hopper receivers are designed separately for safety & convenient purpose which can match 2 or above 2 hopper receivers to achieve one to multi combination conveying. It enhances material conveying capacities greatly up to 700kgs/hr. The maximum loading distance is 10m. All models are suitable for conveying materials over long distance and easy operations which are satisfied with customers' various requirements.

● 一对二吸料机特点 One to Two Autoloaders Features

- 一机拖两机，节省设备配置，节约空间。
- 电脑控制操作方便安装、调试。
- 尤其适用于干燥、供料二机一体，简化系统结构，提高使用效率，方便操作。
- 维修保养方便、快捷。
- One to two autoloaders can save equipment configuration and save space.
- Microcomputer control operation, easy installs & adjusts.
- Suitable for drying and feeding materials in one body, which can simple system structure, increasing productivity and convenient operate.
- Easy and fast to maintain.



● 产品结构图 Product Structure Diagram



● 规格表 Specification Sheet

产品型号 Model	TALA-700G-L	TAL-810G-L	TAL-815G-L	TAL-820G-L	TAL-920G-L	TAL-915G-L	TAL-930G-L
风机形式 Motor Type	碳刷式 Carbon Brush	感应式 Induction	感应式 Induction	感应式 Induction	感应式 Induction	感应式 Induction	感应式 Induction
风机功率 Motor Capacity	KW 1.4	0.75	1.1	1.5	1.5	1.1	2.2
控制站次 Control Stations	站 1	1	1	1	2	2	2
输送能力 Conveying Ability	kg/h 300	500	600	700	700	600	800
进风口径 Air Inlet Size	mm	38.1 (1.5")					
过滤类型 Filter Type	纸制滤芯 Paper Filter $\phi 188 \times \phi 115 \times 145$						
外观尺寸 Dimensions	L(m)	0.38	0.54	0.54	0.66	0.66	0.66
	W(m)	0.28	0.38	0.38	0.38	0.39	0.39
	H(m)	0.575	0.69	0.69	0.69	0.81	0.81
系统电源 Power Supply	V 220VAC	380VAC 3P/PE 50Hz					
控制电源 Control Voltage	V 1P/PE 50Hz	220VAC 1P/PE 50Hz					
总功率 Total Power	KW 1.5	0.9	1.2	1.6	1.6	1.2	2.3
电源线规格 Wires Specifications	mm ² 3×1.5	4×1.5			4×2.5		
电源线长度 Wires Length	m	5					
可选料斗 Applicable Hopper Model	SR-3E SR-6E SR-12E MR-3 MR-6 MR-12						
机器重量 Weight	kg 30	45	51	56	60	55	65

注：产品规格若有变更，恕不另行通知。 We reserve right to change specifications without prior notice.

开放式分离吸料主机 Detachable Autoloaders (Open type)

TAL

● 特点 Features

- 微处理器记忆体使用EEPROM，切断电源后设定的资料永久保存。
- 采用欧化风格设计，不锈钢制造，不污染原料，美化大方。
- 采用下吸风式设计，过滤器下搭配旋风挡板于分离集尘桶，可有效地减轻过滤器负荷。
- 分离式集尘桶，方便清除粉尘。
- 主机配备故障及马达过载指示灯，可及时报警。
- 采用欧规安全插头，使用时安全可靠。
- 可根据不同需要选配吸料机，提供多样性选择。
- 吸料机主机搭配单段或双段风机。

•Microprocessor use EPROM to back up data in case power failure and does not require back up battery.

•Machines are designed with exquisite appearance and are made of stainless steel to ensure no material contamination.

•It adapts down – suction design and use a cyclone dust separator and a dust collective bin together for reducing the load of filter effectively.

•Separated dust collective bin is easy for cleaning dust.

•To be equipped with warning lamp for alarming pump overload and other malfunctions immediately.

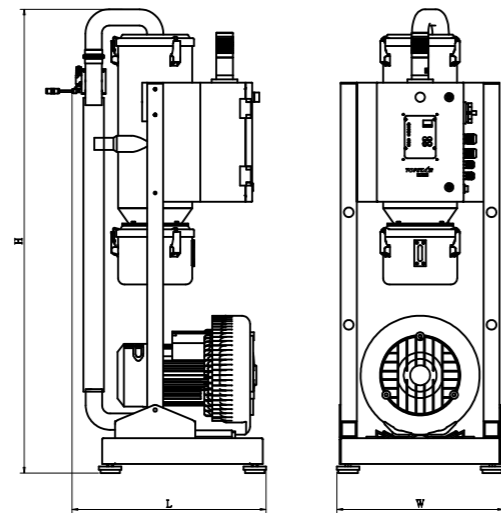
•European plugs ensure reliable & safety operation.

•Various autoloaders are available for selection to meet different requirements.

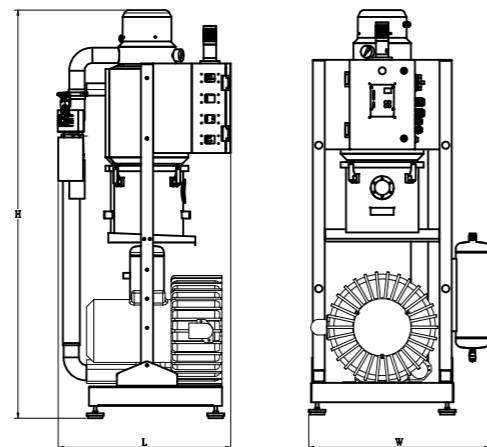
•This series of autoloaders are equipped with single-stage blower.



● (单段)产品结构图 (Single Stage)Product Structure Diagram



● (双段)产品结构图 (Double Stage)Product Structure Diagram



● (单段)规格表 (Single Stage) Specification Sheet

产品型号Model	TAL-3H P-2-L	TAL-3H P2-2-L	TAL-3H P4-2-L	TAL-3H P6-1.5-L	TAL-4H P-2-L	TAL-4H P2-2-L	TAL-4H P4-2-L	TAL-4H P6-2-L	TAL-5H P-2-L	TAL-5H P2-2-L	TAL-5H P4-2-L	TAL-5H P6-2-L			
风机形式 Motor Type	单段 Single Stage														
风机功率 Motor Capacity	KW		2.2	2.2	2.2	2.2	3	3	3	3	4	4	4	4	
进风口径 Air Inlet Size	mm				50.8(2.0")		38.1(1.5")		50.8(2.0")						
控制站次 Control Stations	站		1	2	4	6	1	2	4	6	1	2	4	6	
输送能力 Conveying Ability	kg/h		750				830				900				
外观尺寸 Dimensions	L(m)		0.54	0.56	0.69	0.69	0.54	0.69	0.69	0.69	0.69	0.69	0.69	0.69	0.69
	W(m)		0.52	0.52	0.52	0.52	0.52	0.52	0.52	0.52	0.52	0.52	0.52	0.52	0.52
	H(m)		1.45	1.45	1.45	1.45	1.45	1.45	1.45	1.45	1.45	1.45	1.45	1.45	1.45
系统电源 Power Supply	V		380VAC 3P/PE 50Hz												
控制电源 Control Voltage	V		220VAC 1P/PE 50Hz												
总功率 Total Power	KW		2.3	2.3	2.3	2.3	3.1	3.1	3.1	3.1	4.1	4.1	4.1	4.1	
电源线规格 Wires Specifications	mm2		4 × 2.5												
电源线长度 Wires Length	m		5												
过滤类型 Filter Type			纸制滤芯												
中央集尘桶 Centralized Dust Collector	L		25 部分机型具备泄压功能												
标准功能 Standard Functions			集尘功能Duct Collection Functions 消音功能Silencing Functions												
机器重量 Weight	kg		130	130	130	130	144	144	144	144	148	148	148	148	
可选料斗 Applicable Hopper Model			SR-3E SR-6E SR-12E MR-3 MR-6 MR-12 MR-24 CSR-3E CSR-6E CSR-12E CMR-3 CMR-6 CMR-12 CMR-24 CMR-48												

● (双段)规格表 (Double Stage) Specification Sheet

产品型号Model	TAL-8HP-2-L	TAL-8HP-2.5-L	TAL-8HP2-2-L	TAL-8HP2-2.5-L	TAL-8HP4-2-L	TAL-8HP4-2.5-L	TAL-8HP6-2-L	TAL-8HP6-2.5-L	TAL-10HP-2-L	TAL-10HP-2.5-L	TAL-10HP2-2-L	TAL-10HP2-2.5-L	TAL-10HP4-2-L	TAL-10HP4-2.5-L	TAL-10HP6-2-L	TAL-10HP6-2.5-L		
风机形式 Motor Type	双段 Double-stage																	
风机功率 Motor Capacity	KW		5.5	5.5	5.5	5.5	5.5	5.5	5.5	7.5	7.5	7.5	7.5	7.5	7.5	7.5		
进风口径 Air Inlet Size	mm		50.8 (2.0")	63.5 (2.5")	50.8 (2.0")	63.5 (2.5")	50.8 (2.0")	63.5 (2.5")	50.8 (2.0")	63.5 (2.5")	50.8 (2.0")	63.5 (2.5")	50.8 (2.0")	63.5 (2.5")	50.8 (2.0")	63.5 (2.5")		
控制站次 Control Stations	站		1	1	2	2	4	4	6	6	1	2	2	4	4	6		
输送能力 Conveying Ability	kg/h		1500				1800				2000				2500			
外观尺寸 Dimensions	L(m)		0.74	0.74	0.74	0.74	0.74	0.74	0.74	0.74	0.74	0.74	0.74	0.74	0.74	0.74		
	W(m)		0.74	0.74	0.74	0.74	0.74	0.74	0.74	0.74	0.74	0.74	0.74	0.74	0.74	0.74		
	H(m)		1.69	1.69	1.69	1.69	1.69	1.69	1.69	1.69	1.69	1.69	1.69	1.69	1.69	1.69		
系统电源 Power Supply	V		380VAC 3P/PE 50Hz															
控制电源 Control Voltage	V		220VAC 1P/PE 50Hz															
总功率 Total Power	KW		5.6	5.6	5.6	5.6	5.6	5.6	5.6	5.6	7.6	7.6	7.6	7.6	7.6	7.6		
电源线规格 Wires Specifications	mm2		4 × 4								4 × 6							
电源线长度 Wires Length	m		5															
过滤类型 Filter Type			布袋过滤 Cloth Filter															
中央集尘桶 Centralized Dust Collector	L		50															
标准功能 Standard Functions			释压功能Pressure Relieve Functions 喷洗功能Spray Cleaning Functions 集尘功能Duct Collection Functions 消音功能Silencing function															
机器重量 Weight	kg		176	176	176	176	176	176	176	176	185	185	185	185	185	185		
可选料斗 Applicable Hopper Model			SR-3E SR-6E SR-12E MR-3 MR-6 MR-12 MR-24 CSR-3E CSR-6E CSR-12E CMR-3 CMR-6 CMR-12 CMR-24 CMR-48															

注：产品规格若有变更，恕不另行通知。 We reserve right to change specifications without prior notice.

料杯 Hopper Receivers

● 特点 Features

- ER/FSR系列接触原料部分采用不锈钢材质结构，SR/CSR/FSR系列采用全不锈钢材质结构，确保原料不受污染，用以提供分离式吸料机选用。
- 均采用不锈钢落料挡板，不需随不同原料而调整。
- FSR/SR/CSR系列法兰座底与料斗之间采用卡箍锁住，便于拆卸。
- CSR系列采用分离阀，几台中央式吸料机共用一台马达使用中央供料系统。
- FSR系列特别针对光学级产品设计，减少粉末对产品影响，提升产品良率。
- 均装配射式光电开关，适于直接安装成型机入料口；装配近接开关，适于直接安装成型机料斗上。
- 均采用玻璃料管搭配静电传感器设计，可精确侦测原料输送。
- 均装配不锈钢滤网，可以及时清除积尘。
- Stainless steel construction used by ER/FSR series for ensuring material free and for all structural by SR/CSR/FSR series from contamination that working with detachable autoloaders.
- Mechanical stainless flap fitting on ER/SR/CSR series that need not to be adjusted according to different material.
- With hopper receivers and bases are locked by hinge, FSR/SR/CSR series is easy for dismantle.
- A diaphragm valve fitting on CSR series if several central hopper receivers want to share same blower for centralized feeding system.
- FSR series is particularly designed for optic product use for reducing powder to cause any defects for enhancing productivity qualities.
- Autoloaders equip with photo sensors which are mounted onto the feeding port of injection molding machines; autoloaders equip with proximity switch which are mounted onto the hopper dryers.
- To adopt glass tube with photo sensor (static capacity detection) for precisely detect material conveying..
- To be fitted with stainless screener for easy filtering dust.



Mr系列

FSR系列

SR系列

CSR系列

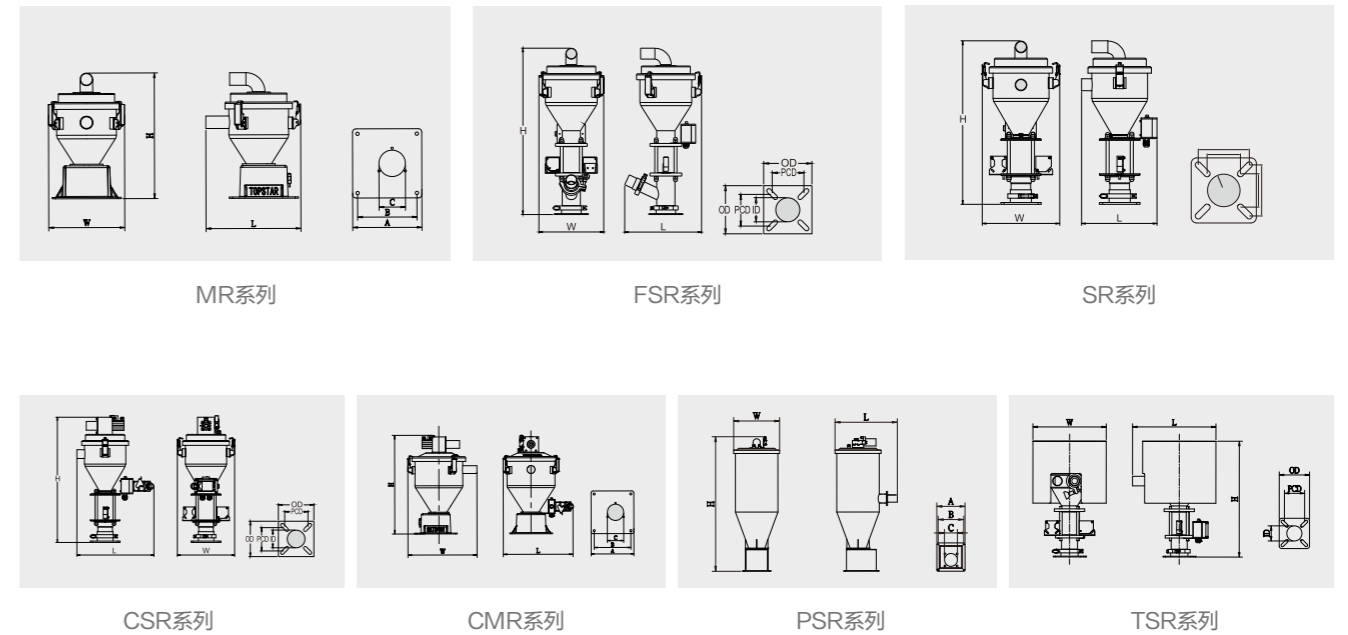
料杯可控制吸料机之吸料动作顺畅。提供不同料杯系列-普通型料杯，不锈钢料杯，光学级料杯等供客户有多样性的选择。使用不锈钢材质，确保原料不受污染，搭配透明强化玻璃设计，容易监看料位情况，特别适用于光学级产品所使用。可直接安装在注塑机上或配合吸料机使用，清料，换料等工作更为得心应手。

主要分为：普通型料杯ER系列、沸腾式不锈钢料杯FSR系列、不锈钢料杯SR系列、中央式不锈钢料斗CSR系列。

Hopper Receivers are fitted with sensors to control materials suction smoothly. Diverse Hopper Receivers – standard type, stainless type and for optics type are provided according to customers' various requirements. Stainless hopper receivers ensure no contamination to raw materials and they are equipped with see-through window to monitor materials levels which are especially suitable for application of optics. They can be mounted onto plastic injection molding machines directly or to work with separated autoloaders and give more convenient on cleaning or changing materials. Including.

ER Series Standard Hopper Receivers、FSR Series Optics Stainless Steel Hopper Receivers、SR Series Stainless Steel Hopper Receivers、CSR Series Central Stainless Steel Hopper Receivers.

● 产品结构图 Product Structure Diagram



MR系列

FSR系列

SR系列

CSR系列

CMR系列

PSR系列

TSR系列

● 规格表 Specification Sheet

产品型号 Model	MR-3	MR-6	MR-12	CMR-3	CMR-6	CMR-12	CMR-24	CMR-48	PSR-20	TSR-1E	SR-02E	SR-1E	SR-3E	SR-6E	SR-12E	SR-24E	CSR-3E	CSR-6E	CSR-12E	CSR-24E		
料斗容量 Opper Capacity	L	3	6	12	3	6	12	24	48	20	1	0.2	1	3	6	12	24	3	6	12	24	
输送能力 Conveying Ability	kg/h	70	140	200	70	140	200	320	500	250	30	10	30	70	140	200	320	70	140	200	320	
感应类型 Sensor Type	磁感应 Magnetic induction									光电式 Photoelectric												
料管口径 Hose Size	mm	φ38.1 (φ50.8)						φ50.8 (φ63.5)	φ38.1 (φ50.8)	φ38.1	φ38.1 (φ50.8)											
过滤类型 Filter Type	金属网 Metal mesh (304/1.2t/φ2×2)									滤袋 Sleeve /10 μm	金属网 Metal mesh (304/1.2t/φ2×2)											
外观尺寸 Dimensions	L(m)	0.286	0.34	0.426	0.348	0.376	0.408	0.408	0.393	0.526	0.29	0.137	0.168	0.218	0.259	0.382	0.382	0.205	0.259	0.382	0.393	
	W(m)	0.23	0.276	0.331	0.229	0.276	0.331	0.325	0.406	0.36	0.29	0.175	0.169	0.289	0.316	0.385	0.385	0.362	0.389	0.457	0.465	
	H(m)	0.437	0.515	0.52	0.45	0.531	0.534	0.754	0.89	1.17	0.459	0.285	0.305	0.512	0.592	0.629	0.844	0.585	0.668	0.658	0.879	
固定尺寸 Size	A(m)	0.21						0.2			0.095	0.071	0.071	0.095	0.095	0.165	0.165	0.095	0.095	0.165	0.165	
	B(m)	0.18									0.06	0.059	0.059	0.06	0.06	0.82	0.82	0.06	0.06	0.82	0.82	
	C(m)	0.092						0.091			0.06	0.03	0.03	0.06	0.06	0.06	0.06	0.06	0.06	0.06	0.06	
机器重量 Weight	KG	6	7	8	6.5	7.5	8.5	9	10	6.5	7.5	5	4.5	5	6	7	8	9	6.5	7.5	8.5	9.5

注：产品规格若有变更，恕不另行通知。 We reserve right to change specifications without prior notice.

水式模温机 Water Type Mold Temperature Controller

TTW

● 特点 Features

- 电控箱与机身隔离，隔热效果佳，电器使用寿命长。
- 模温机专用触摸屏控制器，控温更合理，省电35%以上。
- 安全保护及故障指示系统完善，维修方便无需专业人员。
- 进口高级组件，使用年限长。
- 升降温速度快，温度精确稳定，可达 $\pm 0.1^{\circ}\text{C}$ 。
- 独特的加热设计，适合不同温控场所使用，节能效果明显。
- 主管路采用304不锈钢一体成型，管损小，加热均匀，使用寿命长。
- 开机自动排气功能。
- 吹气回水功能。

• Electronic control panel and machine body are isolated to acquire good effects on heat insulation in order to extend the service life of electrical components.

• P.I.D multi-stage temperature control system can save power up to 35% thanks to control temperature accurately & reasonably.

• Perfect safety protection and error indication display which are easymaintained and repaired ,even without professionals can do it.

• Imported hi-class parts with long service life.

• Rapid heating and cool down speeds lead temperature to be kept precisely and stably with accuracy up to ± 0.1 .

• Unique heating design are suitable to different temperature control application with excellent & distinct power saving.

• 304 stainless steel integrated pipelines with less pipe resistance and even heating for long service life.

• Automatic air-exhausting function after startup.

• Air blowing and return water function.

冷却单元的冷却器结构获得实用新型专利 Practical New Patent for structure of cooler

专利号/Patent No: ZL 201120245120.X



使用水为传热媒介，以直接（低温型）或间接冷却（高温型）方式达到热交换。具有热传导效率高，污染少，水资源容易取得，使用成本低等优点。标准型温度控制达120~180℃。

Water Type Mold Temperature Controller use water as heating media to realize heat exchange by direct cooling for standard temperature control from 120~180℃. Water type has its superiorities with high efficient heat transmission, less pollution, water resource easy to be attained with low cost.

● 安全保护及指示系统 Safety Protecting and Indiction System

安全保护及指示系统
Safaty Protection and Indiction System

电源欠相保护
Power lack-phase protection

总电源保护及指示灯
Power supply protection and indicating lamp

泵反转保护及指示灯
Pump reverse protection and indicating lamp

泵过载保护及指示灯
Pump overload protection and indicating lamp

缺水保护及指示灯
Water shortage protection and indicating lamp

过热保护及指示灯
Overheat protection and indicating lamp

热水By-pass压力回路
Hot water by-pass pressure release loop

强制冷却
Forced cooling

温度异常警报
Abnormal temperature alarm

异常警报蜂鸣器
Abnormal alarm buzzer



水式模温机
Dual-purpose water type mold
temperature controller

● 选择加装配件 Options

感温棒接到外部配线
Thermocouplen for connecting external wiring

精密水质过滤器
Large water filter

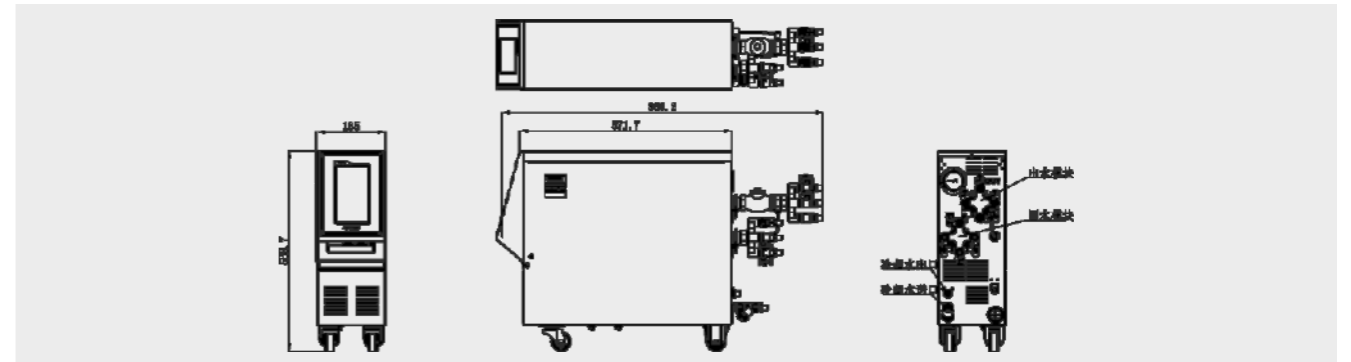
防漏电保护开关
Leakage protection switch

电压异常保护开关
Abnormal voltage protection switch

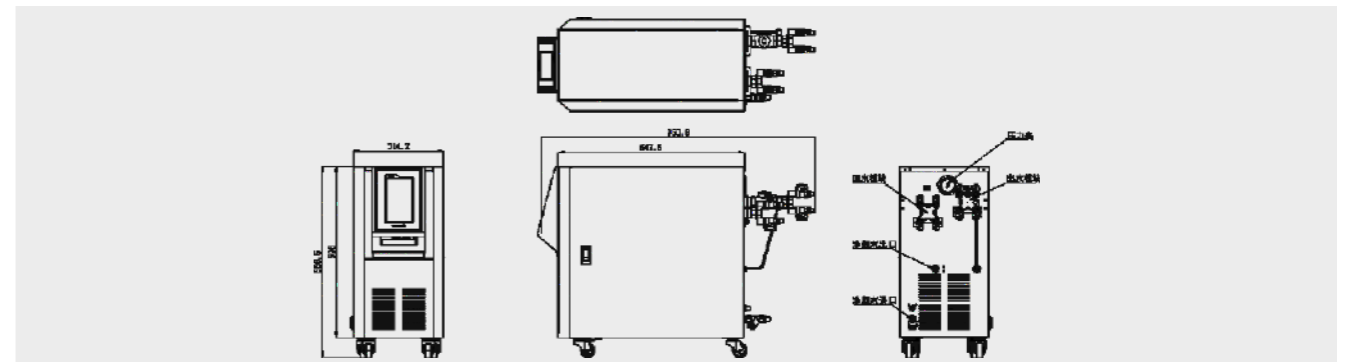
铁弗龙管
Teflon hose

● 产品结构图 Product Structure Diagram

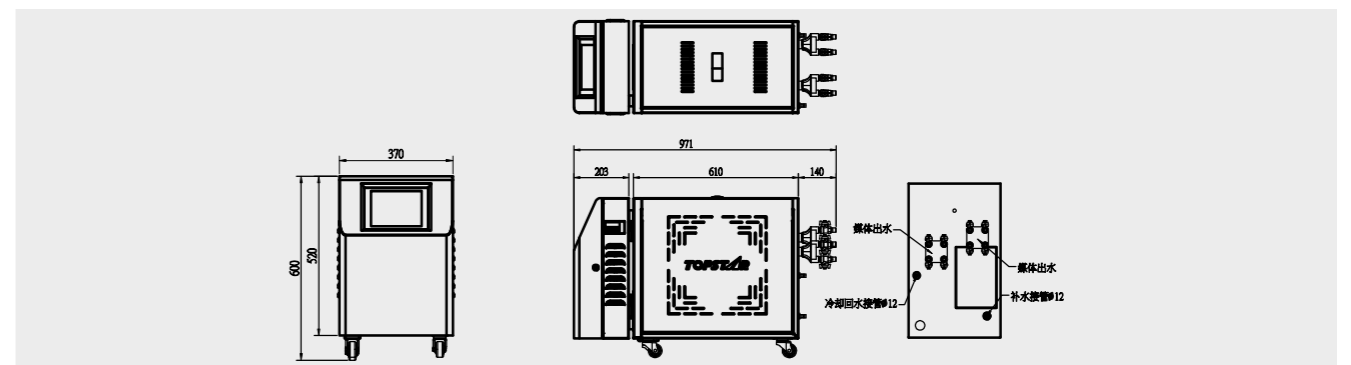
1、TTWP-1210(不含选购件)



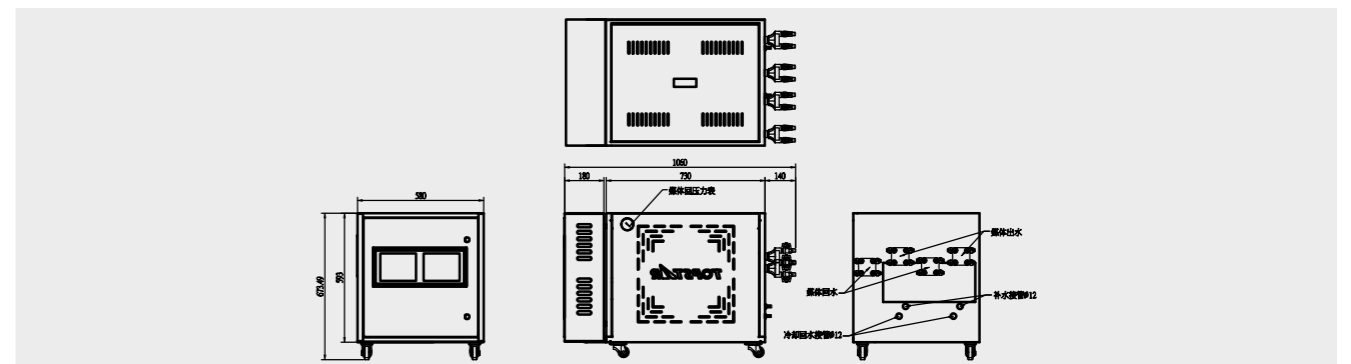
2.TTWP-1220/1230(不含选购件)



3、TTW-1610C/1810C(不含选购件)



4.TTW-1610DC/1810DC(不含选购件)



● 规格表 Specification Sheet

产品型号Model	TTWP-1210	TTWP-1220	TTWP-1230	TTW-123018C	TTW-125030C	TTW-1610C	TTW-1620C	TTW-163018C	TTW-1810C	TTW-1820C	TTWC-1210C	
适用范围 range of application	清水 clean water											
最高温度 max temperature	℃	120					160			180		120
最低温度 min temperature	℃	冷却水温度+20℃ water temperature +20℃										
热媒体 medium	清水 clean water											
冷却方式 cool mode	直接冷却 direct cool						间接冷却 indirect cool					
加热管功率 heater capacity	KW	8	12	12(12x2)	9x2	15x2	9	12	9x2	9	12	9
功率 power	KW	0.75	1.5	2.8	2.2	3.7	0.75	1.5	2.2	1.1	1.5	0.75
最大流量 max.flow	Lr/min	60	85	107	280	475	50	85	280	71	90	60
最大压力 max.pressure	Mpa	0.35	0.69	0.8	0.28	0.35	0.48	0.69	0.28	0.55	0.7	0.35
流量 flow	Lr/min	58/40/20	60/42/24	80/60/40	250/200/130	400/310/170	44/36/28	70/55/40	250/200/130	58/35/11	65/40/20	58/40/20
压力 pressure	Mpa	0.1/0.2/0.3	0.2/0.4/0.6	0.2/0.35/0.5	0.1/0.15/0.2	0.1/0.2/0.3	0.1/0.25/0.4	0.1/0.25/0.4	0.1/0.15/0.2	0.1/0.25/0.4	0.1/0.25/0.4	0.1/0.2/0.3
增压泵(W) booster pump	W	无 None					48					
媒体进出口径(分流器型式) inlet/outle pipe(splitter)	4进4出 4 in 4 out											
	3/8"											
补水口径 supply water pipe	Φ12											
冷却回水口径 water outlet pipe	Φ12											
补水流量要求(客户提供) L/min water flow(custmor)	L/min	10	15	30	45	60	30	30	45	30	45	水箱容积 (15L)
压缩空气要求(清模选购项) compressed air(clean mould)	0.4-0.7mpa X 100L/min											
报警功能 alarm	逆相、媒体不足、媒体泵过负荷、温度探头断线、温度上下限报警 phase fault, lack medium, pump overload,thermocouple fault,temperature low/high limit alarm											
主回路电压 main current power	V	380VAC 3P/PE 50Hz										
控制回路电压 control current voltage	V	220VAC 1P/PE 50Hz										
总电气容量(kW)Total electric capacity	200V/220V/380V	8.9	13.7	15(27)	20.4	33.9	10	13.7	20.5	10.3	13.7	10
主空开容量(A)Main breaker capacity	200V/220V	25	63	63	63	63	32	32	63	63	63	32
	380V/415V/440V	16	25	32	32	63	25	25	63	32	32	25
电源线 power line	M	5										
机架本体 rack	白 (RAL7047) gray											
电气箱门、封板 electric box, cover plate	蓝色(RAL5012) blue											
SUS不锈钢部分 SUS stainless steel part	无 None											
重量 weight	KG	50	55	85	90	205	88	87	130	87	80	55
外形尺寸(长×宽×高) dimensions (L×W×H)	mm	664×180×540	700×315×600	755×320×600	960×791×350	1285×500×926	1040×370×590	1040×370×590	1230×440×853	1040×370×590	1040×370×590	823×780×320

注：产品规格若有变更，恕不另行通知。 We reserve right to change specifications without prior notice.

● 规格表 Specification Sheet

产品型号Model	TTW-1220DC	TTW-125030DC	TTW-1610DC	TTW-1620DC	TTW-1630DC	TTW-1810DC	TTW-1820DC	
适用范围 range of application	清水 clean water							
最高温度 max temperature	℃	120		160		180		
最低温度 min temperature	℃	冷却水温度+20℃ water temperature +20℃						
冷却方式 cool mode	直接冷却 directcool			间接冷却 indirectcool				
热媒体 medium	清水 clean water							
加热管功率 heater capacity	KW	12×2	15×4	9×2	12x2	9×4	9×2	
功率 power	KW	1.5×2	3.7×2	0.75×2	1.5×2	2.2×2	1.1×2	
最大流量 max.flow	Lr/min	85	475	50	85	280	71	
最大压力 max.pressure	Mpa	0.69	0.35	0.48	0.69	0.28	0.55	
流量 flow	Lr/min	60/42/24	400/310/170	44/36/28	70/55/40	250/200/130	58/35/11	
压力 pressure	Mpa	0.2/0.4/0.6	0.1/0.2/0.3	0.1/0.25/0.4	0.1/0.25/0.4	0.1/0.15/0.2	0.1/0.25/0.4	
增压泵(W) booster pump	W	无 None		48				
媒体进出口径(分流器型式) inlet/outle pipe(splitter)	4进4出×2 4in 4out×2		1进1出×2 1in 1out×2		4进4出×2 4in 4out×2			
	3/8"		1"		3/8"			
补水口径 supply water pipe	Φ12							
冷却回水口径 water outlet pipe	Φ12							
补水流量要求(客户提供) L/min water flow(custmor)	L/min	60	90	60	60	60	60	
压缩空气要求(清模选购项) compressed air(clean mould)	0.4-0.7mpa X 100L/min							
报警功能 alarm	逆相、媒体不足、媒体泵过负荷、温度探头断线、温度上下限报警 phase fault, lack medium, pump overload,thermocouple fault,temperature low/high limit alarm							
主回路电压 main current power	V	380VAC 3P/PE 50Hz						
控制回路电压 control current voltage	V	220VAC 1P/PE 50Hz						
总电气容量(kW)Total electric capacity	200V/220V/380V	27.2	67.6	19.7	27.2	40.6	20.4	
主空开容量(A)Main breaker capacity	200V/220V	63	200	100	100	100	100	
	380V/415V/440V	63	150	63	63	63	63	
电源线 power line	M	5						
机架本体 rack	白 (RAL7047) gray							
电气箱门、封板 electric box, cover plate	蓝色(RAL5012) blue							
SUS不锈钢部分 SUS stainless steel part	无 None							
重量 weight	KG	154	160	161	140	140	167	
外形尺寸(长×宽×高) dimensions (L×W×H)	mm	1047×600×650	1320×900×926	1080×580×660	1080×580×660	1350×600×830	1080×580×660	

注：产品规格若有变更，恕不另行通知。 We reserve right to change specifications without prior notice.

油式模温机 Oil Type Mold Temperature Controller

TTO

● 特点 Features

- 电控箱与机身隔离，隔热效果佳，电器使用寿命长。
- 模温机专用触摸屏控制器，控温更合理，省电35%以上。
- 安全保护及故障指示系统完善，维修方便无需专业人员。
- 进口高级组件，使用年限长。
- 升降温速度快，温度精确稳定，可达 $\pm 0.1^{\circ}\text{C}$ 。
- 独特的加热设计，适合不同温控场所使用，节能效果明显。
- 主管路采用304不锈钢一体成型，管损小，加热均匀，使用寿命长。
- 开机自动排气功能。
- 吹气回油功能。

• Electronic control panel and machine body are isolated to acquire good effects on heat insulation in order to extend the service life of electrical components.

• P.I.D multi-stage temperature control system can save power up to 35% thanks to control temperature accurately & reasonably.

• Perfect safety protection and error indication display which are easymaintained and repaired ,even without professionals can do it.

• Imported hi-class parts with long service life.

• Rapid heating and cool down speeds lead temperature to be kept precisely and stably with accuracy up to ± 0.1 .

• Unique heating design are suitable to different temperature control application with excellent & distinct power saving.

• 304 stainless steel integrated pipelines with less pipe resistance and even heating for long service life.

• Automatic air-exhausting function after startup.

• Air blowing and return oil function.



使用油为传热媒介，以间接冷却方式达到热交换，具有控温范围大，热稳定性好等优点。标准型温度控制达 200°C ，高温型已达 300°C 。

Oil Type Mold Temperature Controller use oil as heating media to realize heat exchange by indirect cooling. Oil type has its superiorities with wide temperature controlled range and excellent heat stability. Standard heating temperature can reach at 200°C while high temperature type can reach 300°C .

● 安全保护及指示系统 Safety Protecting and Indiction System

- 电源欠相保护
Safty Protection and Indiction System
- 总电源无熔丝断路器
Power lack-phase protection
- 泵反转保护及指示灯
Non-fuse circuit braker for protecting power supply
- 泵过载保护及指示灯
Pump reverse protection and indicating lamp
- 缺水保护及指示灯
Water shortage protection and indicating lamp
- 过热保护及指示灯
Overheat protection and indicating lamp
- 热油By-pass 压回路
Hot oil by-pass pressure release loop
- 强制冷却
Forced cooling
- 温度异常警报
Abnormal temperature alarm
- 异常警报蜂鸣器
Abnormal alarm buzzer
- 缺油保护及指示器
Oil shortage protection and indicating lamp

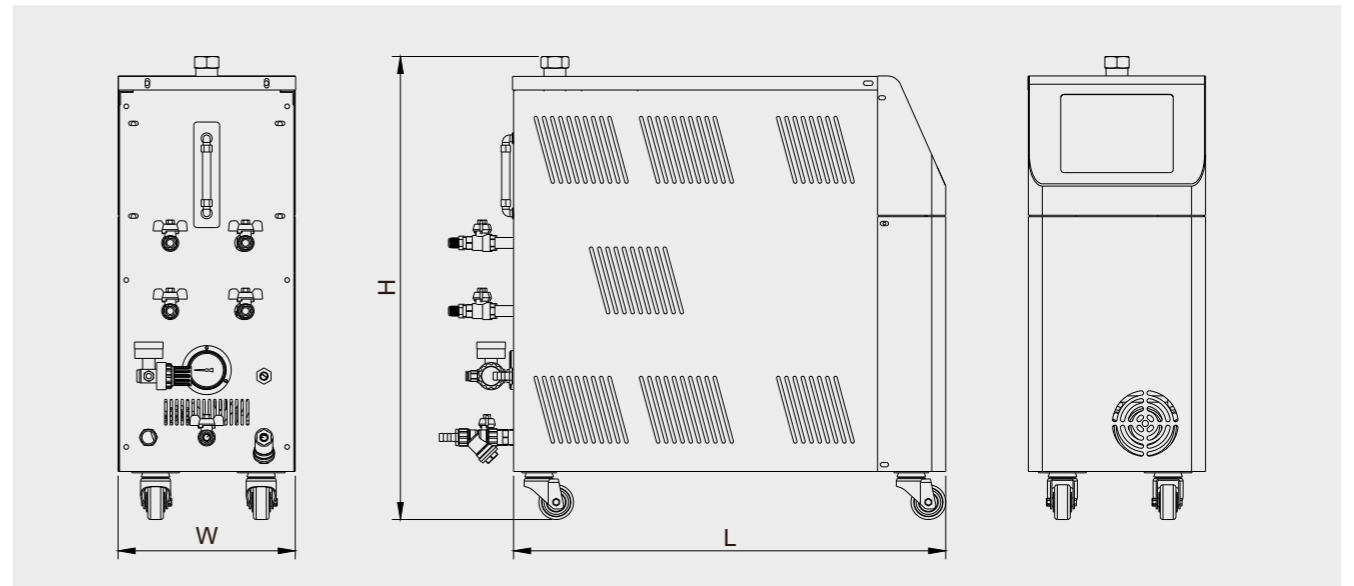


油式模温机
oil type mold
temperature controller

● 选择加装配件 Options

- 感温棒接到外部配线
Thermocouplen for connecting external wiring
- 回油温度显示表
Thermometer for return oil
- 防漏电保护开关
Leakage protection switch
- 电压异常保护开关
Abnormal voltage protection switch
- 铁弗龙管
Teflon hose

● 产品结构图 Product Structure Diagram



● 规格表 Specification Sheet

产品型号Model	TTO-2010C	TTO-2020C	TTO-2030C	TTO-3010C (联油泵)	TTO-3020C	TTO-3010C (磁力泵)	TTO-2010DC	TTO-2020DC	TTO-2030DC	
加热器功率 Heater Power	KW	9	12	12	12	12	9×2	12×2	12×2	
传热媒介 Heat Transfer Medium		导热油 Thermal conductive oil								
冷却方式 Cooling Method		间接冷却 Indirect								
冷却水压要求 Min. Water Pressure	Kg/cm ²	2~5								
冷却水管 Cooling Water Pipe		φ12								
最高使用温度 Max. Working Temp	°C	200	200	200	300	300	300	200	200	200
最低使用温度 Min. Working Temp	°C	冷却水温度+20°C water temperature +20°C								
温控精度 Temperature Control Accuracy	°C	±1°C								
热水配管 Hot Water Pipe		4进4出3/8 4in4out3/8								
冷却能力 Cooling Capacity	Kcal/H	9000	9000	9000	9500	9500	9500	18000	19000	19000
水泵功率 Pump Power	HP	1	2	3	1	2	1	1×2	2×2	3×2
最大流量 max.flowPump Flow	L/min	60	85	280	25	100	71	60×2	191×2	280×2
最大压力 max.pressure	MPA	0.35	0.69	0.28	0.22	0.28	0.55	0.35	0.26	0.28
油箱容量 Oil Tank	L	7	11	23	18	21	10	7×2	50	50
系统电源 Power Supply	V	380VAC 3P/PE 50Hz								
机器总功率 Total Power	KW	10	13.5	14.5	13	14	13	20	22	29
电源线规格 Wires Specifications	mm ²	4×6						4×10		
电源线长度 Wires Length	M	5								
外观尺寸(长×宽×高) Dimensions(L×W×H)	mm	781×290 ×700	1000×330 ×785	1330×450 ×960	1328×410 ×880	1370×460 ×906	1270×350 ×900	781×576 ×700	1400×730 ×1033	1400×730 ×1033
机器重量 Weight	KG	60	70	179	171	155	155	110	130	130

注：产品规格若有变更，恕不另行通知。 We reserve right to change specifications without prior notice.

风冷式冰水机 Air Chillers

TCA



● 特点 Features

- 采用进口高品质压缩机及进口水泵，安全宁静、省电耐用。
- 采用全电脑温控器，操作简洁，能准确地控制水温在5-35℃。
- 冷凝器及蒸发器设计独特，换热效果更佳。
- 有电流过载保护，高低压控制及电子式时间延迟安全装置，当发生故障时及时发出警报及显示故障原因。
- 内置304不锈钢保温水箱，经久耐用，清洗方便。
- 设有逆相欠相保护和防冰保护。
- 超低温型冰水机温度可达-10℃以下。
- 此系列冰水机可订做耐酸碱式。

- To adopt imported superb compressors and pumps to ensure safe & quiet running, power saving and durable service life.
- To employ microcomputer with easy operation which can control temperature within 5 to 35 precisely.
- Unique design for condenser and heat-dispersion unit result in excellent heat-exchange effect.
- To equip with electrical current overload protection, high & low-pressure switch, electronic timer delay safety device. It will alarm to display faulty while any malfunction occurs.
- To adopt with internal 304 stainless steel insulated water tank with durable service life for easy cleaning & maintenance.
- Complete safety devices including power reverse phase & power short phase and anti-freeze protection.
- Ultra low temperature type of chillers can reach below -10℃.
- Chillers for anti-alkaline & anti-acid type can be customized.

风冷式采用翅片式冷凝器，导热快，散热效果佳，无需提供冷却水。可提供5~35℃，低温型更可低至3℃的冰水(温差不超过±1℃)，压缩机功率从5HP~50HP，制冷量能力可达13416~130720Kcal/hr。

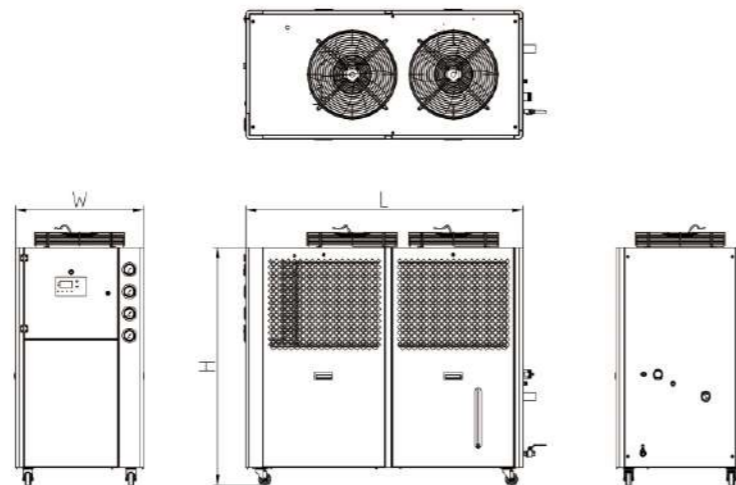
Air Chillers adopt fin condensers (without need of cooling water) with the features of rapid heat transmission and excellent heat dispersion. This series can be afforded cooling ranges from 5~35℃, even lower to 3℃

(temperature controlled accuracy at ±1℃). The compressors' power range from 5HP~50HP and cooling.

风冷壳管式冷水系统 Air Chillers Tube-in-shell Type

风冷盘管式冷水系统 Air Chillers Spiral Type

● 产品结构图 Product Structure Diagram



● 风冷壳管式冷水机规格表 Air Chillers Tube-in-shell Type

产品型号Model		TCA-5TC	TCA-10T-L	TCA-15T-L	TCA-20T-L	TCA-30T-L	TCA-40T-L	TCA-50T-L
制冷量Cooling Capacity	W	14500	29000	43500	58000	86500	122500	144000
压缩机数量 Number of Compressors	台 Set	1	2	3	4	3	4	4
压缩机总功率 Compressor Total Power	HP	5	10	15	20	30	40	50
使用冷媒Refrigerant		R22						
蒸发器类型 Evaporator Type		壳管式 Tube-in-shell type						
蒸发器进出口口径 Evaporator Inlet/outlet Size		DN25	DN40	DN50	DN65	DN65	DN80	DN80
冷凝器类型 Condenser Type		翅片式 Tube-fin Type						
散热风机数量Number of Blower		2	2	2	2	3	4	6
单个风扇功率Per Fan Capacity	KW	0.15	0.45	0.6	0.8	0.8	0.8	0.8
冷水进出口数量 Number of Cooling Water Inlet/outlet	组 Group	1	1	1	1	1	1	1
冷水进出口口径 Cooling Water Inlet/outlet Size		DN25	DN40	DN50	DN65	DN65	DN80	DN80
水泵功率Pump Power	HP	1	1	2	3	5	5	5
水泵流量Pump Flow	L/min	40	90	130	180	240	290	360
水泵扬程 Pump Lifts	M	17	16	18	18	22	22	30
系统电源 Power Supply	V	380VAC 3P/PE 50Hz						
控制电源Control Voltage	V	220VAC 1P/PE 50Hz						
机器总功率Total Power	KW	4.9	9.8	15	20.2	30.1	42.3	48
电源线规格Wires Specifications	mm ²	4×2.5	4×4	4×6	4×10	4×16	4×25	4×25
电源线长度Wires Length	M	5			选配 Option			
外观尺寸Dimensions LxWxH	M	1.25×0.63×1.3	1.53×0.75×1.41	1.75×0.85×1.55	1.95×0.95×1.73	2.45×1.1×1.93	2.5×1.85×2.17	2.5×1.69×2.17
机器重量Weight	KG	200	365	450	550	750	850	950

注：产品规格若有变更，恕不另行通知。 We reserve right to change specifications without prior notice.

● 风冷盘管式冷水机规格表 Air Chillers Spiral Type

产品型号Model		TCA-5C	TCA-10C	TCA-15C	TCA-20C
制冷量Cooling Capacity	W	14500	24900	43500	58000
压缩机数量 Number of Compressors	台 Set	1	2	3	4
压缩机总功率 Compressor Total Power	HP	5	10	15	20
使用冷媒Refrigerant		R22			
蒸发器类型 Evaporator Type		盘管式 Spiral type			
冷凝器类型 Condenser Type		翅片式 Tube-fin Type			
散热风机数量Number of Blower		2	2	2	2
单个风扇功率Per Fan Capacity	KW	0.15	0.38	0.8	0.8
冷水进出口数量 Number of Cooling Water Inlet/outlet	组 Group	1	1	1	1
冷水进出口口径 Cooling Water Inlet/outlet Size		DN25	DN40	DN50	DN50
水箱容量 Water Tank Capacity	L	60	100	150	220
水泵功率Pump Power	HP	1	2	3	3
水泵流量Pump Flow	L/min	40	90	135	135
水泵最大扬程 Pump Maximum Lifts	M	17	23	20	20
系统电源 Power Supply	V	380VAC 3P/PE 50Hz			
控制电源Control Voltage	V	220VAC 1P/PE 50Hz			
机器总功率Total Power	KW	4.9	9.9	15.2	18.9
电源线规格Wires Specifications	mm ²	4×2.5	4×4	4×6	4×10
电源线长度Wires Length	M	5			选配 Option
外观尺寸Dimensions LxWxH	M	1.2×0.6×0.9	1.53×0.75×1.45	1.75×0.85×1.55	1.94×0.95×1.73
机器重量Weight	KG	200	365	590	665

注：产品规格若有变更，恕不另行通知。 We reserve right to change specifications without prior notice.

水冷式冰水机 Water Chillers

TCW



● 特点 Features

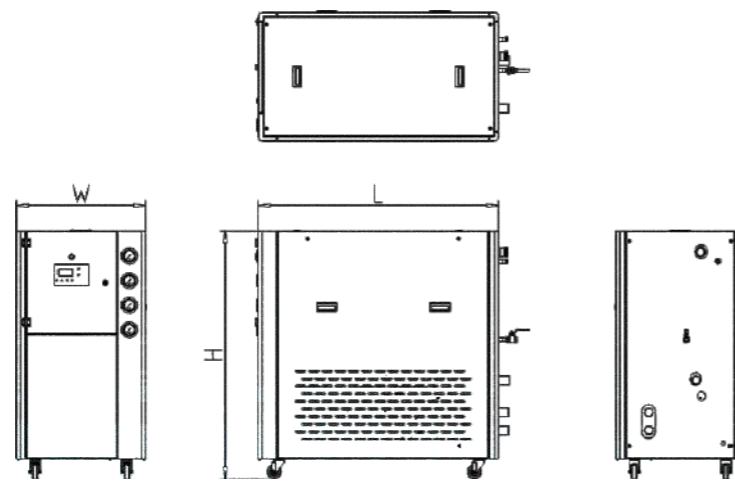
- 采用进口高品质压缩机及进口水泵，安全宁静、省电耐用。
- 采用全电脑温控器，操作简洁，能准确地控制水温在5~35℃。
- 冷凝器及蒸发器设计独特，换热效果更佳。
- 有电流过载保护，高低压控制及电子式时间延迟安全装置，当发生故障时及时发出警报及显示故障原因。
- 内置304不锈钢保温水箱，经久耐用，清洗方便。
- 设有逆相欠相保护和防冰保护。
- 超低温型冷水机温度可达-10℃以下。
- 此系列冷水机可订做耐酸碱式。

- To adopt imported superb compressors and pumps to ensure safe& quiet running, power saving and durable service life.
- To employ microcomputer with easy operation which can control temperature within 5 to 35 precisely.
- Unique design for condenser and heat-dispersion unit result in excellent heat-exchange effect.
- To equip with electrical current overload protection, high & low-pressure switch, electronic timer delay safety device. It will alarm to display faulty while any malfunction occurs.
- To adopt with internal 304 stainless steel insulated water tank with durable service life for easy cleaning & maintenance.
- Complete safety devices including power reverse phase & power short phase and anti-freeze protection.
- Ultra low temperature type of chillers can reach below -10℃.
- Chillers for anti-alkaline & anti-acid type can be customized.

水冷式采用壳管式冷凝器，导热快，散热效果佳。可提供5~35℃，低温型更可低至3℃的冰水(温差不超过±2℃)，压缩机功率从5HP~50HP，制冷量能力可达13416~130720Kcal/hr.。

Water Chillers adopt shell-shape condensers with the features of rapid heat transmission and excellent heat dispersion. This series can be afforded cooling ranges from 5~35℃, even lower to 3℃ (temperature controlled accuracy at ±2℃). The compressors' power range from 5HP~50HP and cooling capacities range from 13416~130720Kcal/hr.

● 产品结构图 Product Structure Diagram



● 水冷壳管式冷水系统规格表 Water Chillers Tube-in-shell Type

产品型号Model		TCW-5TC	TCW-10T-L	TCW-15T-L	TCW-20T-L	TCW-25T-L	TCW-30T-L	TCW-40T-L	TCW-50T-L	
制冷量 Cooling Capacity	W	14500	29000	43500	58000	72200	86700	122800	144400	
压缩机数量 Number of Compressors	台 Set	1	2	3	4	2	3	4	4	
压缩机总功率 Compressor Total Power	HP	5	10	15	20	25	30	40	50	
使用冷媒 Refrigerant		R22								
蒸发器类型 Evaporator Type		壳管式 Tube-in-shell type								
蒸发器进出口口径 Evaporator Inlet/outlet Size		DN25	DN40	DN50	DN65	DN65	DN65	DN80	DN80	
冷凝器散热水口径 Condenser Hot Wat		DN25	DN40	DN50	DN65	DN65	DN65	DN80	DN80	
冷凝器类型 Condenser Type		壳管式 Tube-in-shell type								
冷水进出口数量 Number of Cooling Water Inlet/outlet	组 Group	1	1	1	1	1	1	1	1	
冷水进出口口径 Cooling Water Inlet/outlet Size	公称直径	DN25	DN40	DN50	DN65	DN65	DN65	DN80	DN80	
水泵功率 Pump Power	HP	1	1	2	3	5	5	5	5	
水泵流量 Pump Flow	L/min	40	100	225	420	550	550	550	550	
水泵扬程 Pump Lifts	M	17	16	17	17	20	22	22	22	
系统电源 Power Supply	V	380VAC 3P/PE 50Hz								
控制电源 Control Voltage	V	220VAC 1P/PE 50Hz								
机器总功率 Total Power	KW	4.6	7.2	11.1	15.6	20	23.3	31.3	36	
电源线规格 Wires Specifications	mm ²	4×2.5	4×4	4×6	4×10	4×10	4×16	4×25	4×25	
电源线长度 Wires Length	M	5					选配 Option			
外观尺寸 Dimensions LxWxH	M	0.9×0.55×0.95	1.25×0.75×1.3	1.5×0.8×1.3	1.75×0.8×1.53	1.75×0.8×1.53	1.75×0.8×1.68	2.1×0.9×1.68	2.2×0.9×1.68	
机器重量 Weight	KG	160	280	380	480	580	680	750	850	

注：产品规格若有变更，恕不另行通知。 We reserve right to change specifications without prior notice.

● 水冷盘管式冷水机规格表 Water Chillers Spiral Type

产品型号Model		TCW-5C	TCW-10C	TCW-15C	TCW-20C
制冷量 Cooling Capacity	W	14500	29000	43500	58000
压缩机数量 Number of Compressors	台 Set	1	2	3	4
压缩机总功率 Compressor Total Power	HP	5	10	15	20
使用冷媒 Refrigerant		R22			
蒸发器类型 Evaporator Type		盘管式 Spiral type			
冷凝器类型 Condenser Type		壳管式 Tube-in-shell type			
冷凝器散热水口径 Condenser Hot Wat		DN25	DN40	DN50	DN50
冷水进出口数量 Number of Cooling Water Inlet/outlet	组 Group	1	1	1	1
冷水进出口口径 Cooling Water Inlet/outlet Size	公称直径	DN25	DN40	DN50	DN50
水箱容量 Water Tank Capacity	L	60	100	150	220
水泵功率 Pump Power	HP	1	2	3	3
水泵流量 Pump Flow	L/min	40	90	135	135
水泵最大扬程 Pump Maximum Lifts	M	17	23	20	20
系统电源 Power Supply	V	380VAC 3P/PE 50Hz			
控制电源 Control Voltage	V	220VAC 1P/PE 50Hz			
机器总功率 Total Power	KW	4.6	9.1	13.6	17.3
电源线规格 Wires Specifications	mm ²	4×2.5	4×4	4×6	4×10
电源线长度 Wires Length	M	5			选配 Option
外观尺寸 Dimensions LxWxH	M	0.97×0.6×0.92	1.27×0.68×1.3	1.64×0.72×1.32	1.93×0.8×1.6
机器重量 Weight	KG	150	295	410	520

注：产品规格若有变更，恕不另行通知。 We reserve right to change specifications without prior notice.

开放式冷水机组 Open Water Chillers



● 特点 Features

- 采用进口高品质压缩机及进口水泵，安全宁静、省电耐用。
- 采用全电脑温控器，操作简洁，能准确地控制水温在5-35℃。
- 冷凝器及蒸发器设计独特，换热效果更佳。
- 有电流过载保护，高低压控制及电子式时间延迟安全装置，当发生故障时及时发出警报及显示故障原因。
- 设有逆相保护和防冰保护。
- 超低温型冷水机温度可达-15℃以下。
- 此系列冷水机可订做耐酸碱式。

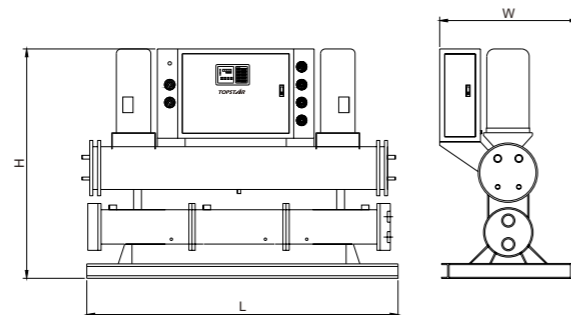
- To adopt imported superb compressors and pumps to ensure safe & quiet running, power saving and durable service life.
- To employ microcomputer with easy operation which can control temperature within 5 to 35 precisely.
- Unique design for condenser and heat-dispersion unit result in excellent heat-exchange effect.
- To equip with electrical current overload protection, high & low-pressure switch, electronic timer delay safety device. It will alarm to display faulty while any malfunction occurs.
- Complete safety devices including power reverse phase & power short phase and anti-freeze protection.
- Ultra low temperature type of chillers can reach below -15℃.
- Chillers for anti-alkaline & anti-acid type can be customized.

● 开放式冷水机组系统规格表 Water Chillers Tube-in-shell Type

产品型号 Model	TLW-110S-L	TLW-140S-L	TLW-180S-L	TLW-200S-L	TLW-230S-L	TLW-260S-L
制冷量 Cooling Capacity	kW 90	122	153	179	210	230
压缩机数量 Number of Compressors	台 Set 1	1	1	1	1	1
压缩机总功率 Compressor Total Power	HP 30	40	50	60	70	80
使用冷媒 Refrigerant	R22					
充注量 Charge volume	KG 21	28.5	35.5	42	49	54
控制方式 control mode	热力膨胀阀 Thermal expansion valve					
蒸发器类型 Evaporator Type	壳管式 Tube-in-shell type					
蒸发器进出口口径 Evaporator Inlet/outlet Size	3"	3"	3"	3"	4"	4"
冷凝器类型 Condenser Type	壳管式 Tube-in-shell type					
冷凝器散热水口径 Condenser Hot Water	3"	3"	3"	3"	4"	4"
冷水进出口数量 Number of Cooling Water Inlet/outlet	组 Group 1					
系统电源 Power Supply	V 380VAC 3P/PE 50Hz					
控制电源 Control Voltage	V 220VAC 1P/PE 50Hz					
外观尺寸 Dimensions LxWxH	M 2.0×0.8×1.5	2.0×0.8×1.5	2.1×0.95×1.55	2.2×1.1×1.55	2.4×1.2×1.7	2.6×1.2×1.7
机器重量 Weight	KG 950	1050	1120	1250	1450	1500

注：产品规格若有变更，恕不另行通知。
We reserve right to change specifications without prior notice.

● 产品结构图 Product Structure Diagram



TGB称重式计量机 TGB Series Gravimetric Blenders

TGB

● 特点 Features

- 可设定原料之间的比例或百分比，操作简单方便。
- 精确稳定的连续运转。
- 在混合原料的同时，对下一批次原料进行称重计量。
- 自动调校补偿功能；在配料过程中，控制器能自动修正与预设值偏差。
- 可安装在机器上或机器旁边。
- 可同时控制多台称重式计量机（标准型）。
- 最多可同时处理六种原料。
- 可配合吸料机自动补料。
- 称重/体积生产模式增大配料能力。
- 所有与原料接触的部分都由不锈钢材料制成，防止原料被污染。
- 模块化可拆卸式设计，节省空间与清洁方便。
- 称重精度±0.3%。
- 分级安全密码控制和报警历史记录功能。
- 配备声、光报警器，便于提醒维修人员，快速到达机器现场排除故障。

- The next batch is weighted simultaneously while blending.
- The controller features with automatic feedback function which can compensate the differences from the presetting values automatically during the dosing cycle.
- In the mixed raw material at the same time, for the next batch raw material weighing measurement.
- Automatic calibration compensation function; In the process of ingredients, the controller can automatically modified with The preset value deviation.
- Can be installed beside the machines or machine.
- Can be controlled at the same time more weighing type metering machine (standard).
- Up to deal with six kinds of raw materials at the same time.
- Can cooperate with suction machine automatic filling material.
- Weighing/bulk increases production mode ingredients.
- All parts in contact with the raw material made of stainless steel materials, to prevent contaminated materials.
- Structure design of modularization and demountable, save space and convenient cleaning.
- Gravimetric accuracy can reach ±0.3%.
- Hierarchical security password control and alarm function of history.
- Equipped with sound and light alarm, to remind maintenance personnel, quickly reach the machine on-site troubleshooting.

● 规格表 Specification Sheet

产品型号 MODEL	TGB-1	TGB-2	TGB-5	TGB-10	TGB-25
原料种类 Kinds of Material	2-4	2-6	2-6	2-7	2-10
最大输出量 Max. Output Capacity(KG/HR)	95-180	190-400	475-800	950-1800	1800-3600

注：产品规格若有变更，恕不另行通知。 We reserve right to change specifications without prior notice.

主要用于处理从2种到6种原料的定量称重计量和搅拌，包括新料、次料、色母和多种添加剂等进行称重计量和均匀搅拌混合。计量能力从20kgs/hr到1000kgs/hr。该系列产品采用高精度重量感测器使批次的混合配比误差(视设定配比比例大小而定)能控制在±0.3%。型号齐全，可满足多种精度等级的混合要求。

Gravimetric Blenders are extensively configured to handle two of up to six different components by dosing & blending in total throughput from 20kgs/hr to 1000kgs/hr; generally including virgin, regrind materials, masterbatch and other various additives. The series adapts precision load cells to make batch blend resulting in a highly accuracy within ±0.3%. (accurate tolerances are varied according to batch to batch blend ratio). Full wide range of this series can satisfy versatile requirements on high precision blending.

TSM系列色母机 TSM Series Screw Dosers

TSM



适用于新、次料、色母或添加剂等的自动比例混合。依据预先设定的比例混合，透过微电脑控制系统设定的条件自动演算出所需之转速(rpm)，计量精准，其误差值±1%。该产品具备两种模式，分别适用于塑胶的注塑成型和挤出成型。螺杆直径分为12、16、20、25等多种，采用进口直流无刷马达，可演变出多种机型，提供0.08~38kgs/hr的不同输出量供客户选择。另有双色色母机，根据客户需求搭配，满足不同场合、不同领域使用。

Screw Dosers are extensively used for precise auto-proportional dosing & blending of virgin, regrind materials, masterbatch and other various additives. The microprocessor accurately controls rate of revolution of a motor for high precise metering with an accuracy of ±1% from set points. This series can be used on the differential applications with injection molding machines and extruders. A brushless DC motor is used for this series. The dosing screws are offered with various size: 12,16, 20 and 25 for developing diverse models with throughputs from 0.08~38kgs/hr. TOPSTAR developed double-color screw dosers according to customers' various demands which can be satisfied with diverse applications.

● 特点 Features

- 数位显示的微电脑控制器，可精确地计量色母及次料的添加比例。
- 采用直流无刷式马达，无需保养、寿命长、免维护。
- 模块化可拆卸式设计，可快速更换螺杆及套筒。
- 计量站可从落料座拆除而不会漏料，在转接座侧边可视窗装置，容易观察原料。
- 具有50组配方存取功能，可快速调用启动机器。
- 入料底座采主要原料与色母分流设计，短时间内可迅速转换色母及主要原料，符合经济效益。
- 配合射出成型机使用时，色母自动计量机可设定计量时间的控制设计，可免除射出机因每模储料时间长短不一，而造成色母添加量不稳定之困扰。
- 有强制清料功能，方便更换色母。
- 可选配物料料位检测感测器，缺料报警提示。
- 可于挤出机主螺杆同步加、减速运行。

- Digital microprocessor can process masterbatch & regrind material by metering accurate percentage.
- Using brushless DC motor features free from maintenance and long service life.
- Module dismantled design, easy for change screw and sleeve.
- The dosing unit is removed from discharging seat without material leakage, monitoring material level from the sight - see - through window on the side of transferred seat.
- 50 sets of parameter recipes are available for permanently recording and reading function, operating machines quickly without adjusting parameters again.
- Feeding base adopt different channels for material & masterbatch separately, easy change material & masterbatch within short time.
- Screw dosers can set metering time to avoid annoyance for unstable materbatch volume while working with injection molding machine because of different time for every cycle of metering.
- Forced material cleaning function is convenient to change masterbatch.
- Material level detection sensor is available as option, alarm for material shortage.
- It can operate with main screw of extruders, acceleration and deceleration simultaneously.

● 规格表 Specification Sheet

产品型号 MODEL	单色色母机 SINGLE COLOR DOSERS								双色色母机 DOUBLE COLOR DOSERS		
	TSM-3025-L	TSM-3020-L	TSM-3016-L	TSM-3012-L	TSM-5025-L	TSM-5020-L	TSM-5016-L	TSM-5012-L	TSM30xx-30xx-L	TSM30xx-50xx-L	TSM50xx-50xx-L
马达功率 Motor Power	W 50								50×2		
马达转速 Motor Speed	RPM 3000										
搅拌功率 Dosing Capacity	W 90										
螺杆直径 Screw Dia.	25	20	16	12	25	20	16	12	xx	xx	xx
输出量 Output Capacity	kg/h 0.8~38	0.4~20	0.2~10	0.1~3	0.5~17	0.2~8	0.1~4	0.08~2.4	x	x	x
储料斗 Tank	L 12								12X2		
减速比 Gear Ratio	30	30	30	30	50	50	50	50	30/30	30/50	50/50
外形尺寸 Dimensions	H M	0.42	0.42	0.42	0.42	0.42	0.42	0.42	0.42	0.42	0.42
	W M	0.55	0.55	0.55	0.55	0.55	0.55	0.55	0.93	0.93	0.93
	D M	0.295	0.295	0.295	0.295	0.295	0.295	0.295	0.295	0.295	0.295
重量 Weight	KG 17	17	17	17	17	17	17	17	30	30	30

注：产品规格若有变更，恕不另行通知 We reserve right to change specifications without prior notice

- 以上输出量是以比重为1.2、直径为2-3mm的塑料粒子以连续运转的方式测得的数据，仅供参考。
- XX表示螺杆直径可按客户要求定做。
- X表示输出量由客户选择的型号而定，单色机的输出量数据仅供参考。

- All the output capacity from above models is base on the data from density 1.2, Dia. 2-3mm master batch in test criteria of continuous running.
- XX stands for the external dia. of the screw is up to clients model choice.
- X means output capacity is depended on model that client select, data of single color doser can be a reference.

立式混色机TVM系列 TVM Series Vertical Mixers

TVM



多片立式桨叶，产生涡流全方位混合，混合力强，短时间内完成均匀混料，低耗能，高效率。采用进口垂直减速马达，低噪音及持久耐用。占地面积少，脚轮装置移动方便。

Vertical Color Mixers are equipped with vertical paddles form vortex to mix material fast and homogenous within short time, low power consumption, high efficiency. Vertical structure with castor wheels for easy moving, small footprint. To adapt imported vertical type of speed reduce motor features with low noise and durable in use.

立式混色机 Vertical Mixers
大型立式搅拌机 Large Vertical Mixers

● 规格表 Specification Sheet

产品型号 MODEL	TVM-50	TVM-100	TVM-150	TVM-200	TVM-300
混合量 Mixing Capacity(KG)	50	100	150	200	300
电机功率 Motor Power(KW)	1.5	2.2	4	5.5	7.5
电压 Voltage(V)	380	380	380	380	380
外型尺寸 Dimensions(m)	0.83×0.83×1.12	1×1×1.28	1.13×1.13×1.38	1.2×1.2×1.45	1.3×1.3×1.6
重量(KG)	125	170	250	450	550

注：产品规格若有变更，恕不另行通知 We reserve right to change specifications without prior notice

● 特点 Features

- 料桶采用进口不锈钢材料，焊接牢固耐用，表面光滑，清洗方便。
- 混合力强，短时间内完成均匀混料，低耗能，高效率。
- 占地面积少，脚轮装置移动方便(100KG以上标配无脚轮)。
- 台湾垂直减速马达，确保噪音低及持久耐用。
- 机盖附有保护开关，操作绝对安全。
- 全密封设计，工作时无粉尘污染。
- 定时器可以选择混料时间从0~30分。
- 桶盖、桶底称冲压成型，配合精确，更耐用。

- Material Pail is made of stainless steel, well soldered result in durable service life, smooth surface is easy for cleaning.
- The mixing capacity is excellent which can finish mixing within short time with high efficiency, low consumption.
- Small footprint, castors device easy for movement(standard no casters above 100KG).
- The Mixers employ vertical gear motor to ensure low noise and durable service life.
- Pail lid is equipped with safeguard switch for ensuring safety absolutely.
- Fully hermetic design ensures no dust contamination.
- Mixing time can be set from 0-30 minutes.
- Pail lid and bottom are pressed with precise matching, more durable.



卧式混色机THM系列 THM Series Horizontal Mixer

THM

● 特点 Features

- 料桶及桨叶采用不锈钢材料制造，清洗容易，避免锈蚀。
- 连锁安全保护装置，确保操作者及机器设备的安全。
- 料桶可倾斜100度，方便卸料。
- 全密封设计，工作时无粉尘污染。
- 定时器可以选择混料时间从0~30分。

- Material Pail and paddles are made of stainless steel which are anti-rust and easy for cleaning.
- Safety interlock device ensures safety for operators and machine.
- Material pail can be tilted 100 degrees, easy and convenient discharging.
- Fully hermetic design ensures no dust contamination.
- Mixing time can be set from 0~30 minutes.

● 规格表 Specification Sheet

产品型号 MODEL	THM-100	THM-150	THM-200
混合量 Mixing Capacity(KG)	100	150	200
电机功率 Motor Power(KW)	2.2	4	4
电压 Voltage(V)	380	380	380
外型尺寸 Dimensions(m)	1.1×0.85×1.3	1.42×0.85×1.3	1.6×1×1.38
重量(KG)	285	358	530

注：产品规格若有变更，恕不另行通知 We reserve right to change specifications without prior notice

卧式桨叶，叶片采用加厚不锈钢制作，与桶壁距离精密计算，拌料迅速、均匀。配用摆线针轮减速电机，噪音低，持久耐用。料桶可倾斜100°，方便卸料。

Horizontal paddles are made of added-thickness stainless steel, the distances to barrel wall are precisely calculated reasonable to make fast & homogenous mixing. All these models are equipped with speed reducer motors which feature with low noisy and durable service life. Barrel can be inclined to 100° for easy unloading.

卧式混色机
Horizontal Mixers

大型卧式搅拌机
Large Horizontal Mixers

加热型卧式搅拌机
Heating Horizontal Mixers

两料比例阀TPV系列 TPV Series Proportional Valves

TPV



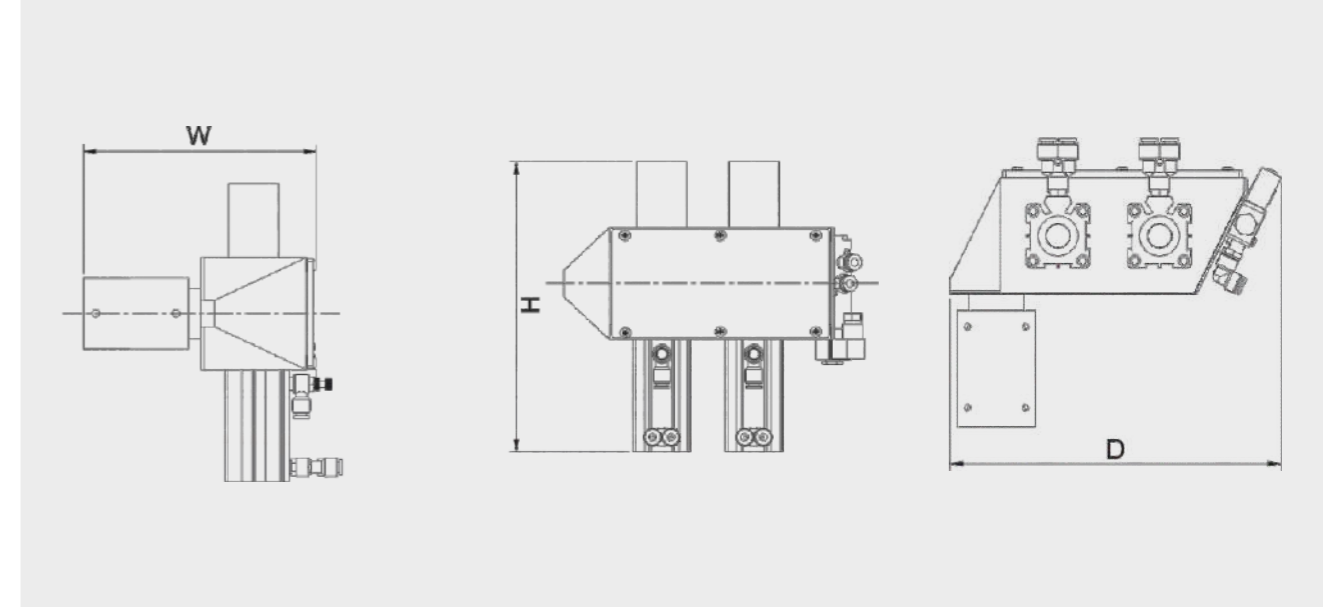
主要用于新料，次料按所需比例互相混合，并由微电脑控制两料比例，以计时器之比例差作交换吸引，将次料依比例混入新料中，确保原料输送过程畅顺及避免原料在输送过程中再次污染，本装置可减少人工成本并且减少资源浪费，从而降低成本。

Proportional Valves are mainly used for mixing virgin & regrind materials in a proper proportion which controlled by microcontroller & differential proportion of timer to ensure loading smoothly and eliminate the possibility of cross contamination during conveying. This device can reduce labor cost

● 特点 Features

- 外形美观，安装方便，操作简单。
- 电磁阀性能稳定，气缸动作准确，确保准确的混料比例。
- 特有的阀体设计，使物料的输送更加畅通。
- 搭配吸料机使用时，无需订购独立控制。
- 和粉碎机立即回收使用时可减少成本支出。
- 新旧料比例，可以任意按所需比例调整。
- 在其他使用场合时，可提供控制箱搭配使用。

- Exquisite appearance, easy installation and operation.
- The performance of solenoid valve is so stable to make air cylinder acting accurately in order to ensure the proportional mixing of virgin and regrind materials.
- Valve body with unique design make material conveying more smoothly.
- No need control box when working with hopper loaders.
- It can reduce the production cost when working with instant recycling the regrind material from granulators.
- Virgin and regrind material can be adjusted according to requirements.
- Control box is available as option when working with other situations.



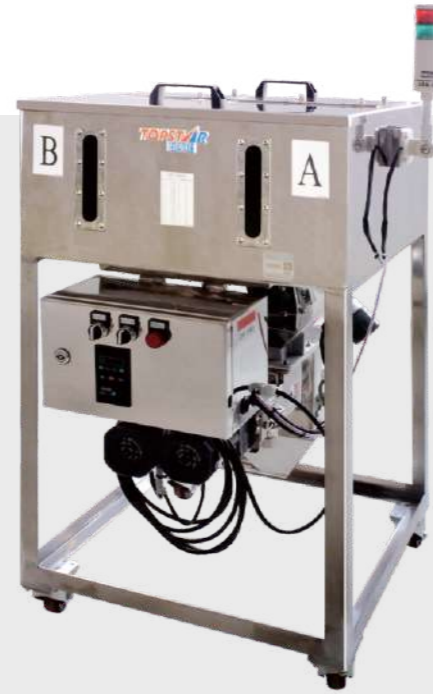
● 规格表 Specification Sheet

产品型号 MODEL		TPV-40V	TPV-50V
驱动力 Driven Force	Kgf/cm2	3~6	3~6
驱动方式 Driven Means		气缸 Cylinders	
控制电压 Control Voltage	V	AC220V/DC24V	
工作电压 Working Voltage	V	24V	
最大输送量 Max. Conveying Capacity	Kg/h	330	500
配管口径 Pipe Size	MM	38.1	50.8
总功率 Total Power	W		
外观尺寸 Dimensions	H(M)	0.22	0.22
	W(M)	0.133	0.133
	D(M)	0.205	0.205
机器重量 Weight	KG	2	2.2
搭配机型 Option Machine		料斗 Hopper Receiver	

注：产品规格若有变更，恕不另行通知 We reserve right to change specifications without prior notice

混合比例料箱TMT TMT Mix Tank

TMT

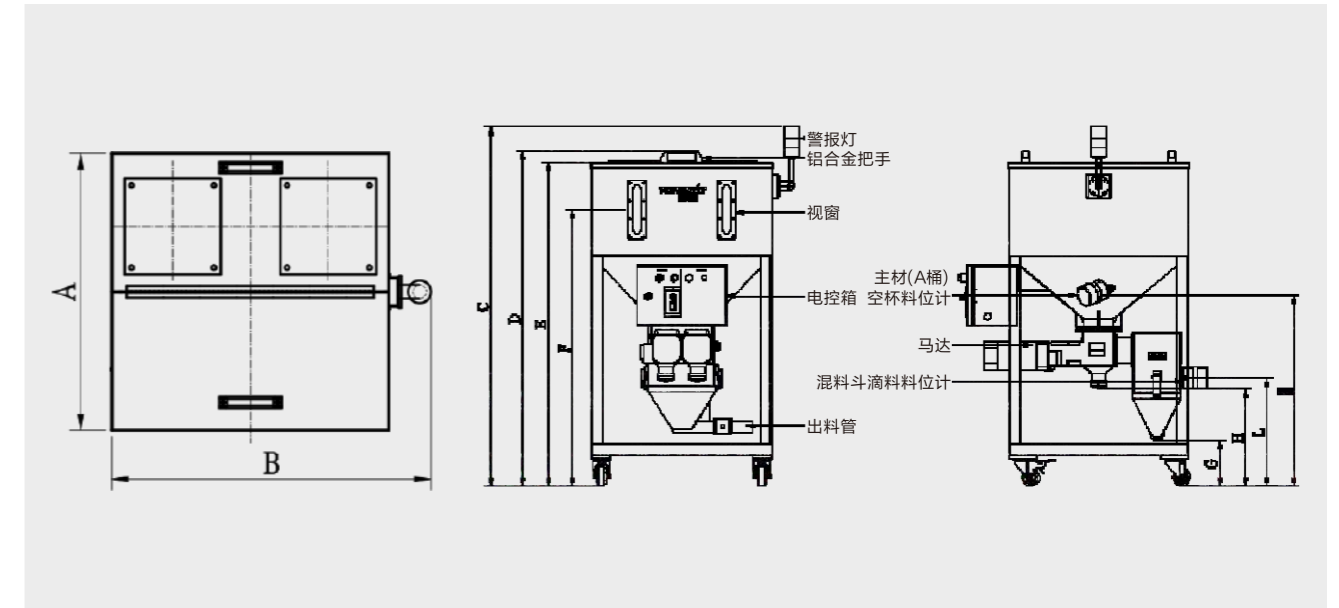


● 特点 Features

- 两种物料的存贮，同时设有计量配比功能（大部分用于新料与粉碎料的场合）。
 - 计量螺杆SUS304材质，新料定速，粉碎材调速。
 - 粉碎料对新料配比范围：5%~70%。
 - 配比精度±2%。
 - 操作简单，直接调整粉碎材的数显转速表。
- Storage of two materials, also has volumetric dosing function (use most occasion for virgin and regrind)
 - SUS304 screw, fixed speed for virgin, adjustable speed for regrind.
 - Regrind ratio range to virgin: 5%~70%.
 - Ratio precision ±2%.
 - Easy operation, digital speed-meter for adjusting regrind directly.

● 产品结构图 Product Structure Diagram

产品型号MODEL	TMT-50×50	TMT-100×100	TMT-120×30	TMT-150×150	TMT-250×250
A(mm)	695	952	948	1100	1292
B(mm)	607	862	857	1008	1202
C(mm)	1200	1434	1172	1408	1560
D(mm)	1080	1324	1132	1368	1491



● 规格表 Specification Sheet

产品型号 MODEL	TMT-50×50	TMT-100×100	TMT-120×30	TMT-150×150	TMT-250×250
新料贮存容量(kg)Capacity of material(kg)	50	100	120	150	250
粉碎料贮存容量(kg)capacity of regrind(kg)	50	100	30	150	250
新料计量能力(连续运转时)Delivery capacity of material(continuous)	290				
粉碎料计量能力(连续运转时)Delivery capacity of regrind(continuous)	14.5~203				
配比精度 commercial mix precision	±2%				
电源 power	主回路电压 main current power		AC200V/220V 50Hz 1P 2W+E(标准电压)(standard voltage)		
	控制回路电压 control current voltage		AC200V/220V 50Hz 1P 2W+E		
	总电气容量 (kW)Total electric capacity		0.15		
电源线 powerline	5				
重量 weight(kg)	50	60	60	70	100
外形尺寸(mm)(长×宽×高) dimensions(mm)(L×W×H)	695×607×1200	952×862×1434	948×857×1172	1100×1008×1408	1292×1202×1560

注：产品规格若有变更，恕不另行通知 We reserve right to change specifications without prior notice

体积式计量机TMA
Volumetric Type
Blender TMA

TMA



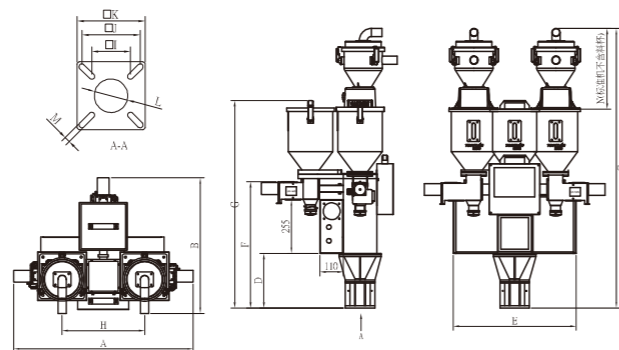
● 特点 Features

- 多种物料同步失重体积计量。
- 特制混合料管，无需搅拌装置。
- 计量测试简洁，10min内可完成。
- 步进电机精确控制精度，配比精度±1%以内。
- 换料清扫方便，无专用工具10min可清扫完成。
- 触摸屏操作，多种配方存储。
- 配上吸料机及料杯可实现自动投料。
- 使用数据化报警履历记录。
- 配上吸料机、料杯、架台可以实现放置在地面。

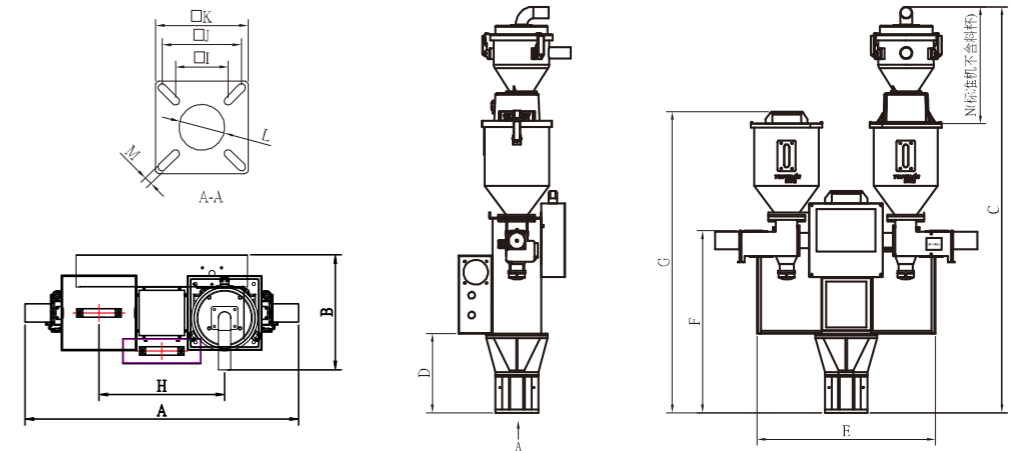
- A variety of materials volumetric dose simultaneously.
- Special material tube, don't need mixing device.
- Dose test simply, less than 10min to complete test.
- Step-motor precisely control speed, the commercial mix precision $\pm 1\%$.
- Easily clean, less than 10min to clean without special tools.
- Operate with Touch screen, can save a variety of recipe.
- Automatic feeding can be realized with auto-loader and suction hopper.
- Using digital alarm history records.
- It can be placed on the floor with auto-loader, suction hopper and frame.

● 产品结构图 Product Structure Diagram

1.TMA-103-L/TMA-203-L外形图



2.TMA-102-L/TMA-202-L外形图



产品型号MODEL	A(mm)	B(mm)	C(mm)	D(mm)	E(mm)	F(mm)	G(mm)	H(mm)	I(mm)	J(mm)	K(mm)	L(mm)	M(mm)	N(mm)
TMA-102-L	845	360	1325	258	580	600	980	400	80	120	140	69	12	382
TMA-103-L	845	640	1325	258	580	600	980	400	80	120	140	69	12	382
TMA-202-L	885	367	1570	258	580	595	1146	400	80	120	140	69	12	382
TMA-203-L	885	650	4570	258	580	595	1146	400	80	120	140	69	12	382

● 规格表 Specification Sheet

产品型号 MODEL	TMA-102-L	TMA-103-L	TMA-202-L	TMA-203-L
物料种类 Material number	2	3	2	3
最大处理能力 kg/hr	130		400	
材料贮存容量 (Lr) Capacity of material(Lr)	10×2	10×3	20×2	20×3
配比精度 commercial mix precision	$\pm 1\%$			
电源power	主回路电压 main current power AC200V/220V 50Hz 1P 2W+E(标准电压) (standard voltage)			
	控制回路电压 control current voltage AC200V/220V 50Hz 1P 2W+E			
	总电气容量(kW)Total electric capacity 0.2		0.5	
电源线 power line(m)	5			
重量 weight(kg)	35	50	60	80
外形尺寸(mm) (长×宽×高) dimensions(mm) (L×W×H)	845×340×968	845×624×968	885×340×1150	885×650×1150

注：产品规格若有变更，恕不另行通知 We reserve right to change specifications without prior notice

慢速静音粉碎机 TGL系列 TGL Series Low Speed Sound-Proof Granulators

TGL



属于无筛网型塑胶回收粉碎机。20~28 rpm低速运转，齿啃式刀具设计，专门设计用于粉碎各类硬性及易脆塑胶之不良产品，次品的机边粉碎回收利用；尤其适合粉碎回收PC、尼龙、ABS等硬质水口料。具有转速低，扭矩大，噪音低，产生粉尘少，操作简便的优点，而且具备产品粉碎颗粒均匀，粉碎效果极佳，设备运转中无过热现象，使用寿命长等特点。

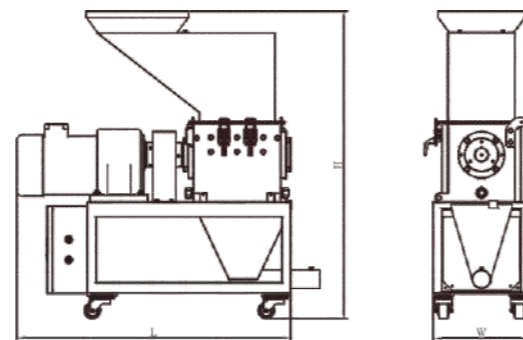
As Low Speed Sound-Proof Granulators are non-mesh slow speed plastic recycling units with 25~30rpm which specially designed with teeth cutters for crushing various defective products made of rigid plastics and brittle plastics such as PC, nylon, ABS and so on. All these models are characterized with low speed & high torque, low noise, less powder pollution, easy operation, granulating in even, no-overheating in operation and long service life.

● 特点 Features

- 无筛网设计，碎料均匀粉末少。
- 结构合理，小巧占用空间小，适合狭小空间机台旁使用。
- 刀具采用优质合金材质，经久耐用。
- 30S立即回收可减少对水口料的湿化，氧化等破坏。
- 20~28RPM低速运转,省电,无噪音公害。
- 中空轴型齿轮减速电动机驱动，无需加油节省空间。
- 本系列粉碎机适合回收PC，PBT，ABS，尼龙等硬质水口料。

- Non - mesh screen design ,well-proportioned granules and less powderpollution.
- Optimized structure of machine with small footprint which is especially suitable for the limited space of workshop to use.
- Blades are made of excellet alloy material with long service life.
- 30 sec instant recycling system to keep regrind material free from color changing by oxidation or damping .
- Low speed at 20~28 rpm, power saving , less noise.
- This unit is driven by shaft gear-motor, no need oil.

● 产品结构图 Product Structure Diagram

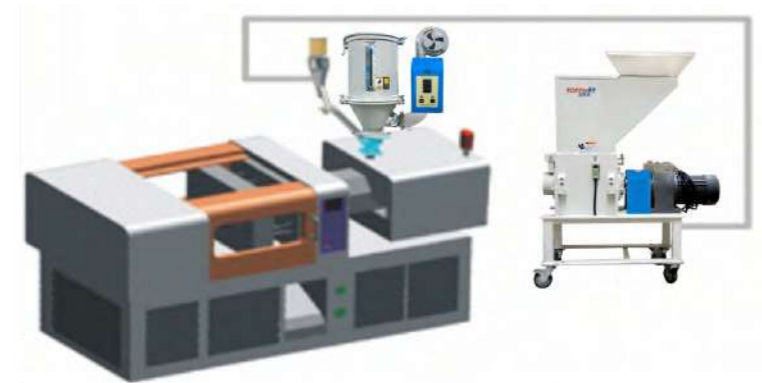


● 规格表 Specification Sheet

产品型号 MODEL	TGL-2526SB-L	TGL-2526SS-L	TGL-3232SB-L	TGL-3232SS-L	TGL-3243SB-L	TGL-3243SS-L
粉碎口径 Crushing Chamber (mm)	253 × 225		305 × 305		310 × 415	
粉碎能力(以PP料为标准)Crushing Ability (Kg/h)	10~15		20~30		30~40	
主轴转速 Revolutions (r/min)	20~24		20~24		20~24	
刀具结构形式 Cutter Type	滚刀Rotary+S刀S Knife		滚刀Rotary+S刀S Knife		滚刀Rotary+S刀S Knife	
旋转刀数量 Rotating Blades	S刀2件Two S+滚刀3件Three Rotary		S刀2件Two S+滚刀3件Three Rotary		S刀2件Two S+滚刀3件Three Rotary	
固定刀数量 Fixed Blades	6		6		8	
马达功率 Motor Power (HP)	1.5		2		3	
机器总功率 Total Power (KW)	1.1		1.5		2.2	
电源线规格 Wires Specifications (mm2)			4 × 1.5			
电源线长度 Wires Length (m)			5			
噪音 Noise Level (dB)			85			
碎料回收方式 Crushing Recycle Type	料箱式 Box	吸料式 Suction	料箱式 Box	吸料式 Suction	料箱式 Box	吸料式 Suction
外形尺寸 Imensions LxHxW(m)	0.91 × 1.29 × 0.43	0.91 × 1.29 × 0.43	1.05 × 1.33 × 0.48	1.05 × 1.33 × 0.48	1.16 × 1.35 × 0.48	1.16 × 1.35 × 0.48
重量 Weight(Kg)	205		280		323	

注：产品规格若有变更，恕不另行通知 We reserve right to change specifications without prior notice

● 吹料式回收系统流程图 Blown Material Type Recovery System Flowchart



● 新次料比例回收系统流程图 The Data of The Proportion of The New Recovery System Flow Chart



中速粉碎机TGM系列 TGM Series Middle Speed Granulators

TGM



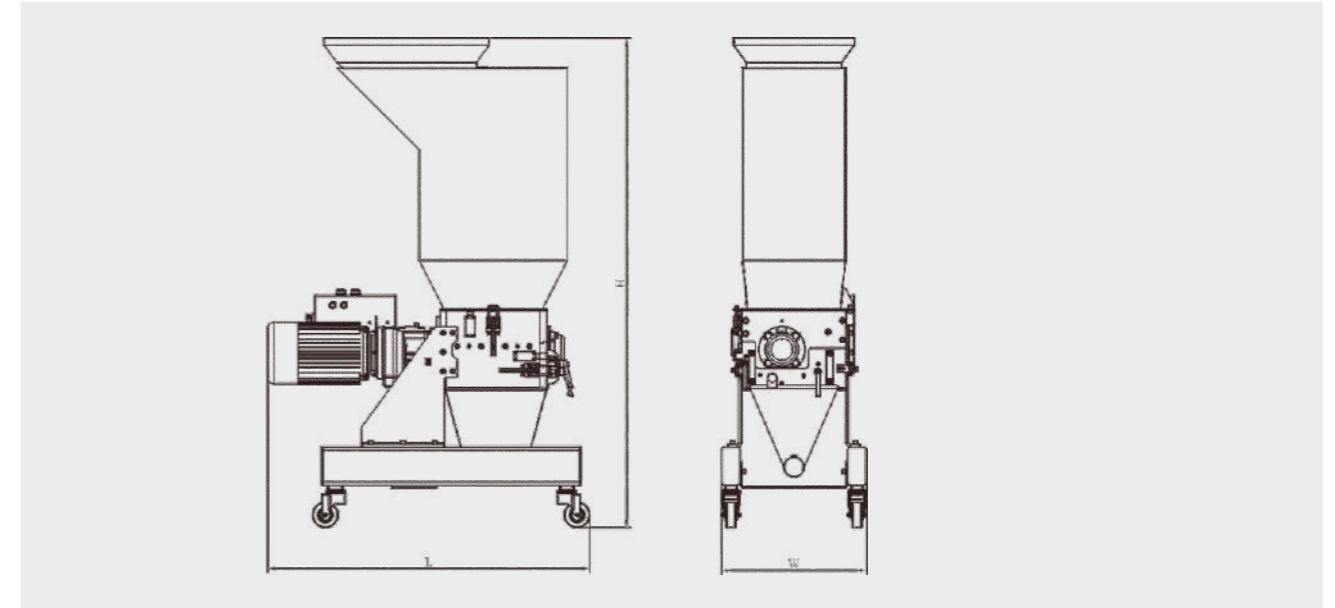
中速粉碎机适用于水口料之粉碎再利用，专门设计能粉碎较硬的工程塑胶，又可粉碎较软的通用塑胶。适中的转速将粉屑、噪音的产生及刀具磨损降到最低点，动刀与定刀采用优质合金材质，使用寿命长。具有粉尘少、低噪音、低能耗，操作简便，性能优异的优点，并且设置多种安全保护装置，确保操作安全。

Middle Speed Granulators are mainly used for crushing regrind materials WLto recycleand specially designed not only for rigid engineering plastics but also for soft plastics.WLThe proper speed rotation results in less powder,less noise, and low-wearable ofcutters. Both rotor blades and fixed bladesare made of SKD-11 with long service life.

● 特点 Features

- 粉尘少、低噪音、低能耗。
- 高品质的粉碎颗粒,低转速特制减速马达(150r/min)。
- 刀具材质采用优质Cr12MOV，经久耐用。
- 快速换刀与快速更换筛网设计，维修与保养非常简便。
- 能粉碎较硬的工程塑料，又可粉碎较软的通用塑料。
- 安全防护装置完善,性能稳定可靠。

- Less powder, low noise, low consumption.
- This unit is driven by low speed motor (150 rpm). It can granulate detective parts into well-proportioned granules.
- Blades are made of Cr12MOV with long service life.
- Rapid changing blades & screen design, easy maintenance.
- It is not only suitable for granulating rigid engineering plastics but also soft plastics.
- Safety protection device to comply with safety conformity,stable and reliable function.



● 规格表 Specification Sheet

产品型号 MODEL	TGM-2327CB-L	TGM-2327CS-L	TGM-2729CB-L	TGM-2729CS-L
粉碎口径 Crushing Chamber (mm)	235 × 280		280 × 290	
粉碎能力(以PP料为标准) Crushing Ability (Kg/h)	35~40		40~45	
主轴转速 Revolutions (r/min)	140~150			
刀具结构形式 Cutter Type	爪刀Claw+筛网Screen Netting			
旋转刀数量 Rotating Blades	24		30	
筛网孔径 Screen Netting Size	φ6 φ8 φ10			
马达功率 Motor Power (HP)	3		5	
机器总功率 Total Power (KW)	2.2		3.7	
电源线规格 Wires Specifications (mm ²)	3 × 2.5+2 × 1.5		3 × 2.5+2 × 1.5	
电源线长度 Wires Length (m)	5			
碎料回收方式 Crushing Recycle Type	料箱式 Box	吸料式 Suction	料箱式 Box	吸料式 Suction
外形尺寸 Imensions LxHxW(m)	1 × 1.23 × 0.5	1 × 1.23 × 0.5	1 × 1.24 × 0.5	1 × 1.24 × 0.5
重量 Weight(Kg)	230		260	

注：产品规格若有变更，恕不另行通知 We reserve right to change specifications without prior notice

**强力型粉碎机
TGP系列
TGP Series Powerful
Granulators**

TGP



特别适用于各类硬性塑胶之粉碎再利用，效果更佳。刀架优化设计，又分为片刀型，爪刀型和平刀型。爪型刀可分散受力度，使得每片刀的剪切加大，尤其适合厚件产品及大块胶头，硬质料块等，有效的提高了刀具切削力、减少刀具磨损。设有电控安全设计，多项安全保护装置，确保操作安全。

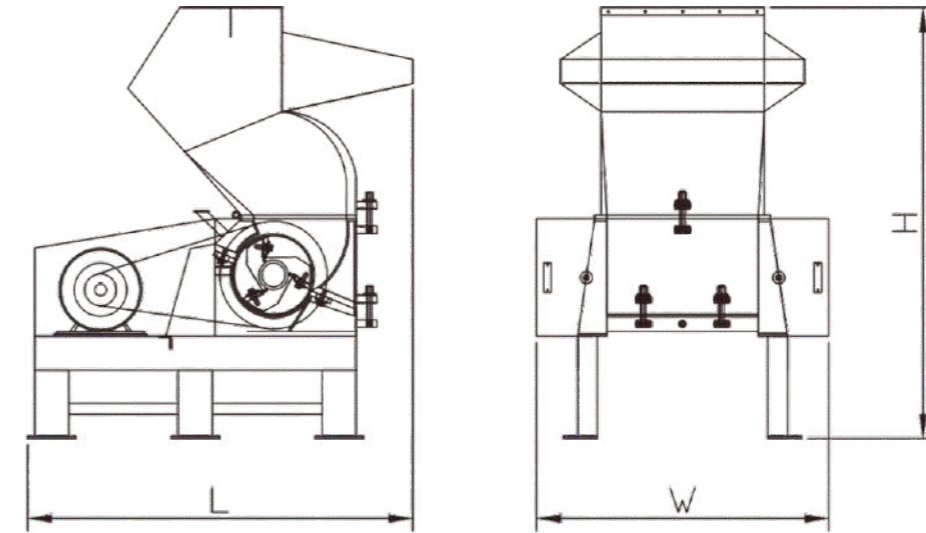
Powerful Sound – Proof Granulators are specially designed for crushing various rigid plastics to recycle with high-efficiency. Superior cutter design has 3 types – flake, flat and claw type. Claw cutter has the characteristics of scattering force even to make each blade giving strong shearing force to reduce cutter wear, especially are suitable for hard & thick products cutting. The granulators are specially designed with multiple electricity safety devices to ensure safety protection.

● 特点 Features

- 适合粉碎大块的各种材质形状的不良品，可集中粉碎回收。
- 马达附有过负荷保护装置，并有电源连锁保护系统，附有清洁刀具保护装置操作、清洗绝对安全；确保维护人员的安全。
- 刀具采用优质合金材质，经久耐用。
- 筛网孔径10HP及以下标准配置为8MM，15HP及以上标准配置为10MM，其他规格可接受订做。
- 设计独特，马力最小，效率却佳，并备有双层消音设备，噪音低。
- 粉碎透明料和白色料时，进料斗和筛网需订做不锈钢，以免在粉碎时油漆脱落，污染原料影响颜色。
- 易拆式设计：进料斗，碎料刀，过滤网均可拆卸，易清洗。

- All models are suitable for granulating big & different material & different shape of defect plastic parts, can be collected to granulate together for recycling use.
- The motor is equipped with overload protector & interlock power protection safety device & granulator is equipped with cleaning cutter protection safety device for ensuring operators' safety.
- Blades are made of excellent alloy material with long service life.
- The standard screen mesh size for 10HP & below is 8mm; for 15HP & above is 10mm. Other spec can be customized according to customers' requirements.
- Unique design realizes that the power is smallest but the efficiency is highest. It is also equipped with double-silencer to achieve low noise.
- Feeding hopper and screener need to be made of stainless steel in order to avoid painting peeling off to make material contamination for effecting color.
- Easy disassembly design – feeding hopper, cutters and screener easily dismantle for cleaning.

● 产品结构图 Product Structure Diagram



● 规格表 Specification Sheet

1.片刀 flake blade (-P)

产品型号 MODEL	TGP-2320P-5HP	TGP-3120P-7.5HP	TGP-4123P-10HP	TGP-5129P-15HP	TGP-6132P-20HP	TGP-8147P-30HP/40HP
马达功率 Motor CapacityHP/KW	5/4	7.5/5.5	10/7.5	15/11	20/15	30/22 40/30
刀腔尺寸 Blade size	220×200	300×200	410×220	500×290	600×320	815×470
最大粉碎能力 Mix Crushing Ability(kg/h)	100	150	200	300	350	450
外型尺寸 Dimensions (L×W×H) (m)	0.97×0.61×1.2	1.0×0.72×1.29	1.03×0.84×1.39	1.23×1.01×1.63	1.32×1.11×1.83	1.73×1.49×2.3
重量 Weight (kg)	290	435	450	820	970	2100

2.爪刀 claw blade (-C)

产品型号 MODEL	TGP-3626C-10HP	TGP-4228C-15HP	TGP-4833C-20HP	TGP-6635C-30HP
马达功率 Motor CapacityHP/KW	10/7.5	15/11	20/15	30/22
刀腔尺寸 Blade size	360×260	420×280	480×330	660×350
最大粉碎能力 Mix Crushing Ability(kg/h)	200	300	350	450
外型尺寸 Dimensions (L×W×H) (m)	1.06×0.83×1.44	1.27×0.9×1.6	1.37×0.98×1.79	1.57×1.32×2.0
重量 Weight (kg)	500	795	1040	1700

3.平刀 flat blade (-F)

产品型号 MODEL	TGP-3626F-10HP	TGP-4228F-15HP	TGP-4833F-20HP	TGP-6635F-30HP
马达功率 Motor CapacityHP/KW	10/7.5	15/11	20/15	30/22
刀腔尺寸 Blade size	360×260	420×280	480×330	660×350
最大粉碎能力 Mix Crushing Ability(kg/h)	200	300	350	450
外型尺寸 Dimensions (L×W×H) (m)	1.06×0.83×1.44	1.27×0.9×1.6	1.37×0.98×1.79	1.57×1.32×2.0
重量 Weight (kg)	500	765	940	1640

注：产品规格若有变更，恕不另行通知 We reserve right to change specifications without prior notice

**强力静音粉碎机
TGP系列
TGP Series Powerful
Sound-Proof
Granulators**

TGP



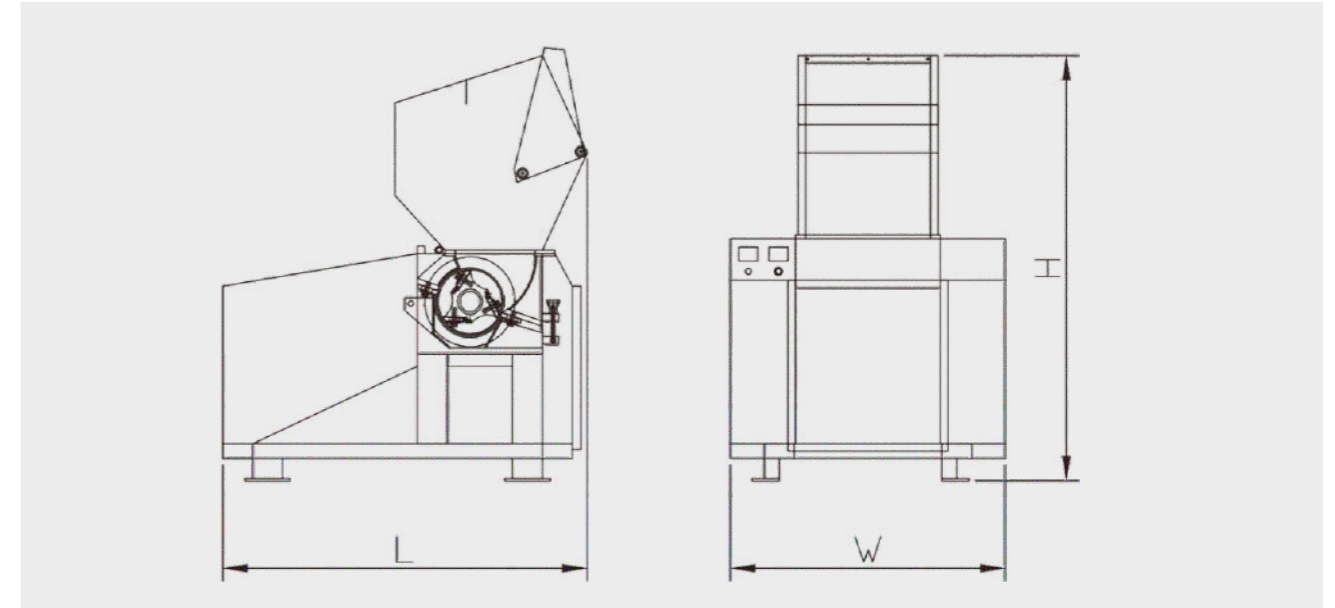
料斗采用双层结构，减少噪音，使得设备具有良好的安全性及环保性，省电耐用。结构合理，操作方便，可掀式设计，方便维修与保养。全封闭静音设计，机台周围1米范围外噪音在85分贝以下，提供良好工作环境。另外提供强力粉碎机供客户选择。

Double sound isolation for low noise level; optimal structure for easy operation; openable design for easy maintenance. Fully hermetic sound-proof design provides excellent working environment result in noise level below 85db under the condition which measures it within one meter away from the machines. In addition, powerful granulators are available for customers' selection.

● **特点 Features**

- 全封闭静音设计，机台周围1米范围外噪音在85db以下，同时避免了粉尘污染。
- 不锈钢储料箱清洗快速,方便,也可选配吸料口型不锈钢储料箱。
- 马达超载保护装置，紧急安全开关装置。
- 配有相序控制器，可防止因电机反转所造成的不良后果。
- 装有电源隔离开关，维修、操作更加方便、安全。
- 静音型粉碎机，可供集中粉碎和随机粉碎使用。
- 独特设计内部散热系统，在全封闭下，将电机所产生的热量排出机外，延长电机使用寿命。
- 活动不锈钢料斗、手柄开关等人性化设计，操作方便。

- Fully hermetic & silent design , the noise level is below 85db around 1 meter distance away from machines, also avoid dust contamination simultaneously .
- The material storage tank is made of stainless steel for easy cleaning, stainless steel suction spout is also available for option.
- Motor overload protection device, emergency safety switch device.
- To be equipped with electrical phase controller , avoid any damage from motor reverse .
- To install power isolator, easy maintenance & safety operation.
- This series can be used beside- the - press and collect all rejected parts to granulate together.
- Unique design with inside heat dispersion system, expel heat generated from electrical cabinet to prolong parts' service life even under the fully hermetic machine.
- Movable stainless feeding hopper and handle switch with optimal design are operation conveniently.



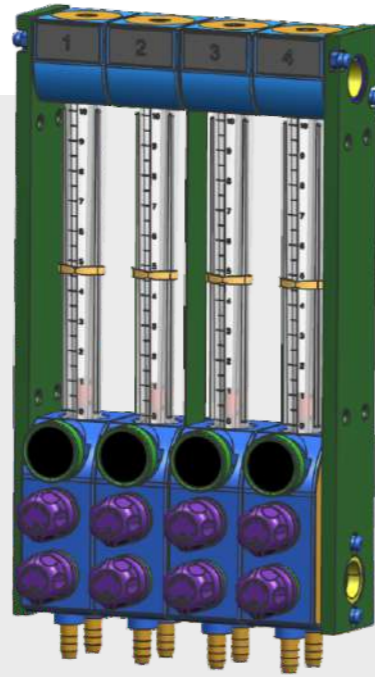
● **规格表 Specification Sheet**

产品型号 MODEL	TGP-2321PQ	TGP-4127PQ	TGP-5232PQ	TGP-6234PQ	TGP-8148PQ
粉碎口径 Crushing Chamber (mm)	230×200	410×270	520×320	620×340	815×480
最大粉碎能力 Mix Crushing Ability(KG/HR)	100	200	300	350	500
固定刀 Fixed Cutters	2	2	2	4	4
旋转刀数量 Rotating Blades	6	12	15	18	24
马达功率 Motor Power (HP)	4/5	7.5/10	11/15	15/20	22/30
外形尺寸 Imensions LxWxH(m)	1×0.72×1.49	1.18×0.93×1.7	1.3×1.06×1.96	1.36×1.16×2.13	1.85×1.54×2.68
重量 Weight(Kg)	500	800	1100	1350	2250

注：产品规格若有变更，恕不另行通知 We reserve right to change specifications without prior notice

水流分布器TFR TFR Water Distributor

TFR



TFR系列的水流分布器设计为搭配水式模温机，冰水机或冷却水塔使用，可同时连接多个模具接口，具有温度显示，流量显示和流量控制功能，可满足不同工作状态需求。模块式组合，装卸方便，是现代塑胶工业提高效率的必备配件。

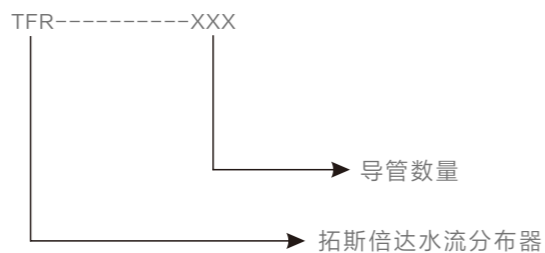
TFR series water distributor is designed to be used with water mold temperature machine, ice water machine or cooling tower. It can connect multiple mold interfaces at the same time. It has the functions of temperature display, flow display and flow control, which can meet the needs of different working conditions. Modular combination, easy loading and unloading, is a modern plastic industry to improve the efficiency of the necessary accessories.

● 特点 Features

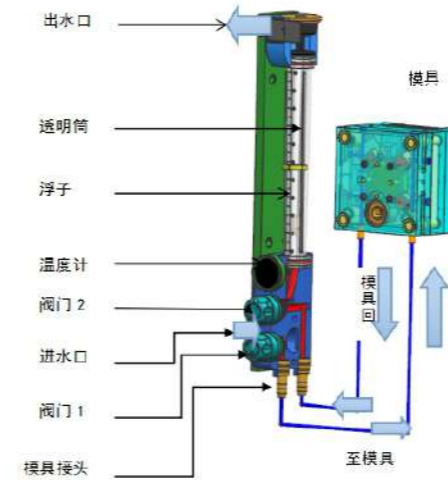
- 模块化设计，扩充性能高，可依客户需求做搭配。
- 优化的结构设计，更长的使用寿命。
- 可根据需求调节水流量，且具有流量显示功能，可在模具回路堵塞时即刻显示，避免不良品。
- 通过精准，可靠的模温控制，确保产品缩水的一致性。
- 机械化设计，无能量消耗。
- 装拆方便，维护清洁简单。
- 可视化流量显示，可直观调整所需的流量。
- 采用精密的调节阀，可更精准地调节水流量。

- Modular design, high expansion performance, can be matched according to customer needs.
- Optimized structure design, longer service life.
- It can adjust the water flow according to the demand, and has the flow display function, which can be displayed immediately when the mold circuit is blocked, so as to avoid defective products.
- Through accurate and reliable mold temperature control, ensure the consistency of product shrinkage.
- Mechanical design, no energy consumption.
- Easy to assemble and disassemble, easy to maintain and clean.
- Visualized flow display, which can directly adjust the required flow.
- The precise regulating valve can regulate the water flow more precisely.

● 编码原则 Coding Principle



● 工作原理 Working Principle



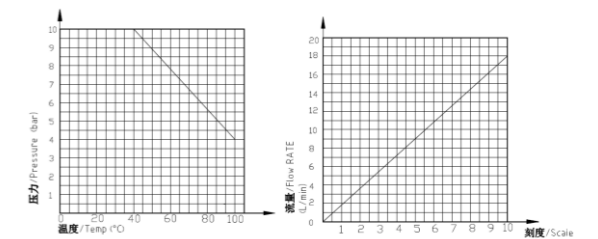
- 循环水经调节阀1进入模具。
- 当循环水在模具内循环后，经调节。
- 当循环水在模具内循环后，经调节阀2进入透明筒，可通过浮子刻度读出水流的大小。
- 温度计显示流经管道水的温度。
- 循环水再经出水口回到模温机，冰水机或冷却塔。

- The circulating water enters the mold through the regulating valve 1.
- When the circulating water circulates in the mold, it is regulated.
- When the circulating water circulates in the mold, it enters the transparent cylinder through the regulating valve 2, and the water flow can be read out through the float scale.
- The thermometer shows the temperature flowing through the pipe water.
- The circulating water returns to the mold temperature machine, ice water machine or cooling tower through the water outlet.

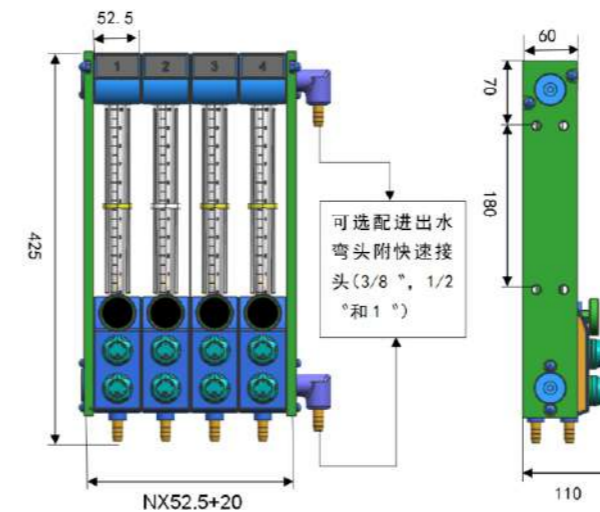
● 技术参数 Technical Parameter

- 最高温度100℃ (210°F) 最高压力10bar
- 流量范围 (单管) 18L/min
- 模具接头3/8快速管接头，进出水口接头3/4PT内牙

- The maximum temperature is 100 °C (210 °C) and the maximum pressure is 10bar
- Flow range (single tube) 18L / min
- Mold joint 3 / 8 quick pipe joint, inlet and outlet joint 3 / 4PT inner tooth



● 产品结构图 Product Structure Diagram



● 规格表 Specification Sheet

产品型号 MODEL	导管数量 (N)
TFR-200	2
TFR-400	4
TFR-600	6
TFR-800	8
TFR-1000	10
TFR-1200	12

客户服务篇 CHAPTER OF SERVICE

售后服务 AFTER-SALE SERVICE

我们推出“4快”的标准服务
We launched the "4 fast" standard service



快速响应 Fast Response

快速响应客户的需求, 收集客户的现场信息并记录故障, 给出保养合理化建议;

Quickly respond to customer needs, collect customer site information and record the failure, give reasonable maintenance suggestions;



快速到达 Fast Arrival

快速到达客户现场, 进行设备维修;

Quickly arrive at customer site for equipment maintenance;



快速处理 Fast Processing

快速处理, 帮助客户第一时间将设备调整到最佳状态;

Quickly processing to help customers adjust the equipment to the best state in the first time;

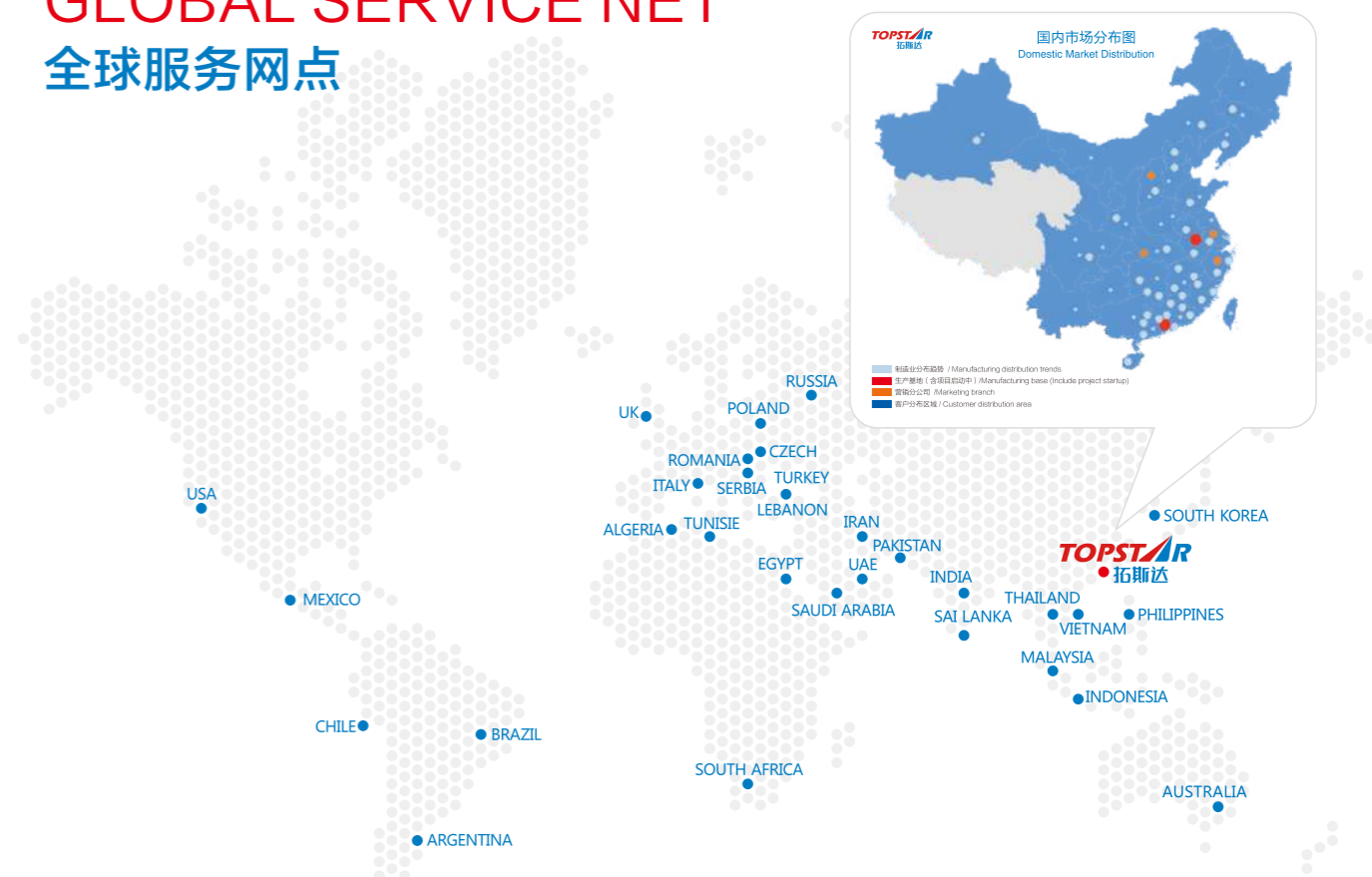


快速验收 Fast Acceptance

快速完成服务项目验收。

Quickly complete the service project acceptance.

GLOBAL SERVICE NET 全球服务网点



SINCERELY APPRECIATE 衷心感谢

超过15000家客户见证并长期支持

Over 15000 customer have witnessed TOPSTAR growth and long supports

